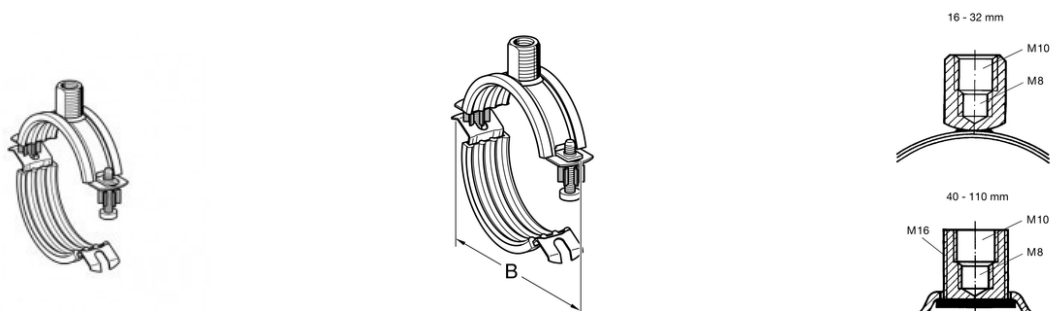


RATIO S-K FOR PLASTIC PIPES



APPLICATION

Two-piece clamp with quick-set clip and special lining for installing coated and uncoated plastic pipes of DIN and ANSI standard. No diffusion of plasticisers from the lining material into the plastic pipe. For ceiling, floor and wall mounting. Connections without adapter: M8, M10. Connections with Adapter (see this chapter): M12, M16, R 1/2", R 3/4" and R 1".

Up to size 110 equipped with spacers which allow sliding. To stop sliding, the spacers can be detached. For sliding installations from 4" on, we recommend the use of Pipe Clamp Stabil D-3G with Slide Set or Slide Element.

SCOPE OF DELIVERY

Two-piece pipe clamp pre-assembled on one side. With patented quick-set clip on its open side.

Sizes 40 and larger have a 3G triple thread nut which is inserted and welded. Up to size 110 supplied with spacers.

TECHNICAL DATA

The recommended load is calculated using specific statistical methods relating to break load and is designed to restrict deflection to 1.5 mm or 2 % of the maximum applicable clamping diameter.

PROSYSTEM ITALIA SRL

Via Friuli venezia Giulia, 15
30030 Pianiga - Venezia - Italy
T +39.041.510.1622
F +39.041.5131351

P.IVA 03470750278
Reg.Imp. Ve 03470750278
Cap.soc. € 90.000,00
REA Padova n° 311219

info@prosystemitalia.com
prosystemitalia.com

Plastic pipeOD [mm]	Max. perm. working load [kN]	MaterialW x th[mm]	Threadconnection	B [mm]
16	0,65	20 x 1.5	M10/M8	55
20	0,65	20 x 1.5	M10/M8	61
25	0,65	20 x 1.5	M10/M8	61
32	0,65	20 x 1.5	M10/M8	71
40	0,65	20 x 1.5	M16/M10/M8	82
50	0,65	20 x 1.5	M16/M10/M8	93
56	0,65	20 x 1.5	M16/M10/M8	104
63	0,65	20 x 1.5	M16/M10/M8	112
75	0,65	20 x 1.5	M16/M10/M8	121
90	1,0	25 x 2.0	M16/M10/M8	141
110	1,2	30 x 2.0	M16/M10/M8	170
160		30 x 2,0	M16/M10/M8	230

Material:

- Clamp: Cold-worked steel, electro-galvanised;

- Spacers: Polypropylene (PP);

- Lining:

Rubber profile: SBR/EPDM, beige

Temperature: range -50°C up to +110°C

Hardness: 55+ / -5° Shore

Fire resistance: Material Category B2 (DIN 4102), non-dripping

Tear strength: 600 N/cm²

PROSYSTEM ITALIA SRL

Via Friuli venezia Giulia, 15
30030 Pianiga - Venezia - Italy
T +39.041.510.1622
F +39.041.5131351

P.IVA 03470750278
Reg.Imp. Ve 03470750278
Cap.soc. € 90.000,00
REA Padova n° 311219

info@prosystemitalia.com
prosystemitalia.com

Breaking elongation: 450 %

Impact absorption: 45 %

Durability: Weatherproof, ageing and ozone- resistant (DIN 53508 and DIN 53509).

Codice	Nome	Peso	Numero di pezzi
148771	16 mm	0.06	100
148780	20 mm	0.07	100
148799	25 mm	0.07	100
148805	32 mm	0.07	100
148814	40 mm	0.09	50
148823	50 mm	0.1	50
148832	56 mm	0.11	50
148841	63 mm	0.11	50
148850	75 mm	0.13	25
155993	90 mm	0.22	25
156000	110 mm	0.33	25
117541	160 mm	0.42	25
117542	160 mm	0.42	25

PROSYSTEM ITALIA SRL

Via Friuli venezia Giulia, 15
30030 Pianiga - Venezia - Italy
T +39.041.510.1622
F +39.041.5131351

P.IVA 03470750278
Reg.Imp. Ve 03470750278
Cap.soc. € 90.000,00
REA Padova n° 311219

info@prosystemitalia.com
prosystemitalia.com