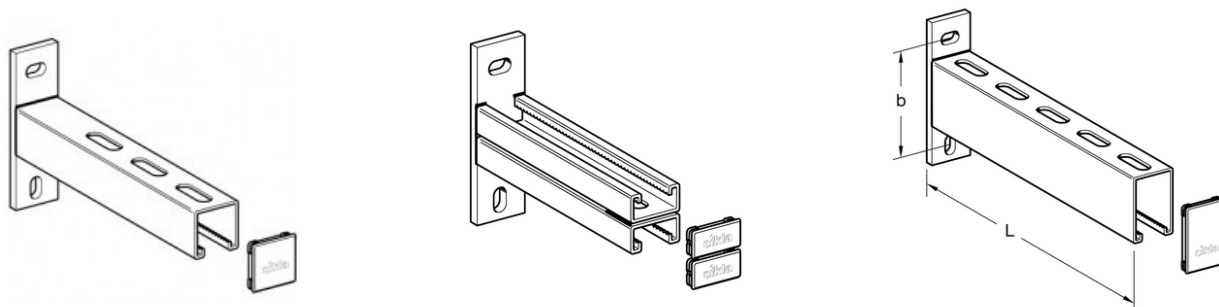


CANTILEVER BRACKET AK HCP



APPLICATION

Ready-to-use bracket for mounting pipes to walls or other building structures.

INSTALLATION

When used in combination with sliding elements, a tied rod is absolutely essential for absorbing the forces running along the centre line of the pipe. For cantilever lengths > 500 mm we recommend the integration of a prop-up.

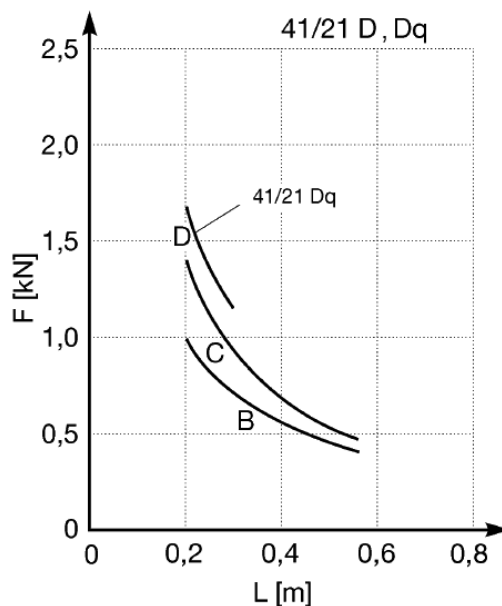
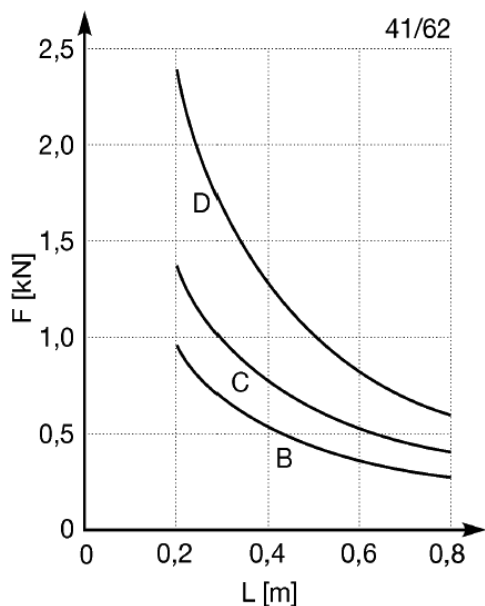
TECHNICAL DATA

PROSYSTEM ITALIA SRL

Via Friuli venezia Giulia, 15
30030 Pianiga - Venezia - Italy
T +39.041.510.1622
F +39.041.5131351

P.IVA 03470750278
Reg.Imp. Ve 03470750278
Cap.soc. € 90.000,00
REA Padova n° 311219

info@prosystemitalia.com
prosystemitalia.com



Anchor load classes $A = 1.5 \text{ kN}$ $B = 2.5 \text{ kN}$ $C = 3.5 \text{ kN}$ $D = 6.0 \text{ kN}$
Restrictions $\sigma_{zul} \leq 160 \text{ N/mm}^2$ $f_{perm} \leq L/150$ for $L > 450 \text{ mm}$ $f_{perm} \leq 3 \text{ mm}$ for $L \leq 450 \text{ mm}$

Material: Steel, HCP.

Type	L [mm]	Wall plate[mm]	b[mm]	Dimensions of elongated hole[mm]
41/41 - 320	320	134 x 40 x 8	100	13 x 18
41/41 - 570	570	134 x 40 x 8	100	13 x 18
41/41 - 820	820	134 x 40 x 8	100	13 x 18
41/62 - 320	320	134 x 40 x 8	100	13 x 18
41/62 - 570	570	134 x 40 x 8	100	13 x 18
41/62 - 820	820	134 x 40 x 8	100	13 x 18
41/41 D	300	160 X 50 X 8	120	13 X 22
41/41 D	500	160 X 50 X 8	120	13 X 22
41/41 D	600	160 X 50 X 8	120	13 X 22
41/41 D	800	160 X 50 X 8	120	13 X 22
41/41 D	1000	160 X 50 X 8	120	13 X 22

PROSYSTEM ITALIA SRL

Via Friuli venezia Giulia, 15
30030 Pianiga - Venezia - Italy
T +39.041.510.1622
F +39.041.5131351

P.IVA 03470750278
Reg.Imp. Ve 03470750278
Cap.soc. € 90.000,00
REA Padova n° 311219

info@prosystemitalia.com
prosystemitalia.com

Codice	Nome	Peso	Numero di pezzi
180119	41/62 L= 320 mm	1.4	10
180128	41/62 L= 570 mm	2.25	10
180137	41/62 L= 820 mm	3.05	10
181667	41/41 L= 320 mm	0.95	10
181676	41/41 L= 570 mm	1.5	10
161479	41/41 L= 820 mm	2	-

PROSYSTEM ITALIA SRL

Via Friuli venezia Giulia, 15
30030 Pianiga - Venezia - Italy
T +39.041.510.1622
F +39.041.5131351

P.IVA 03470750278
Reg.Imp. Ve 03470750278
Cap.soc. € 90.000,00
REA Padova n° 311219

info@prosystemitalia.com
prosystemitalia.com