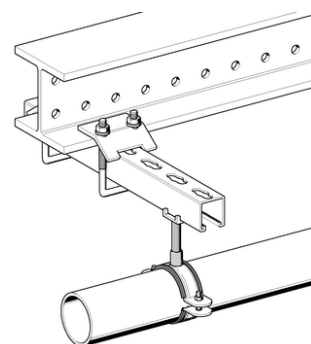
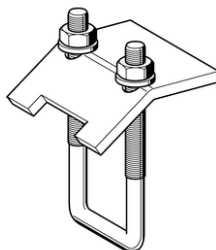
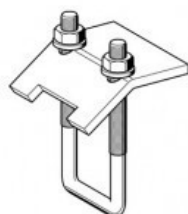


BEAM CLAMP SB 27



APPLICATION

Connecting element to fix Channel MS 27 to beam- and girder structures. Fixing to the channel regardless the orientation of channel opening or slotted side .

SCOPE OF DELIVERY

Completely pre-assembled with U-Bolt, Bracket and Flange Nut.

INSTALLATION

To be used in pairs only. Tightening torque: 20 Nm
Length calculation = Beam/Girder flange thickness + min. 2 x 50 mm overhang.

TECHNICAL DATA

Max. perm. load tension: 2.0 kN per Beam Clamp Material: Steel, electro-galvanised

Type	max. flange thickness [mm]	Thread
27 - M8	25	M8

PROSYSTEM ITALIA SRL

Via Friuli venezia Giulia, 15
30030 Pianiga - Venezia - Italy
T +39.041.510.1622
F +39.041.5131351

P.IVA 03470750278
Reg.Imp. Ve 03470750278
Cap.soc. € 90.000,00
REA Padova n° 311219

info@prosystemitalia.com
prosystemitalia.com

Codice	Nome	Peso	Numero di pezzi
195864	SB 27 M 8	0.28	20

PROSYSTEM ITALIA SRL

Via Friuli venezia Giulia, 15
30030 Pianiga - Venezia - Italy
T +39.041.510.1622
F +39.041.5131351

P.IVA 03470750278
Reg.Imp. Ve 03470750278
Cap.soc. € 90.000,00
REA Padova n° 311219

info@prosystemitalia.com
prosystemitalia.com