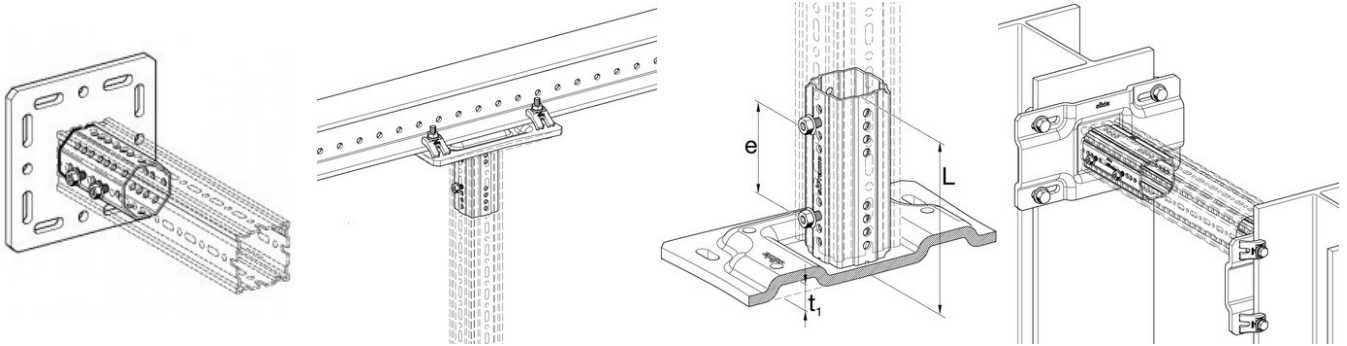


END SUPPORT WBD F 80



APPLICATION

Plug-in component designed to create a square endplate at the open end of a Beam Section TP F80 or a Beam Bracket/Cantilever bracket AK F80. Variation "T" with octagonal insert allows full utilisation of beam section within the space required by the End Support WBD itself.

INSTALLATION

Depending on the situation, different options are recommended:

- a) Directly to building structure: 4 x suitable wall anchors and 4 Self Forming Screws FLS applied to the square/octagonal insert
- b) To traditional steel beams between 80 – 300 mm flange dimensions: 1x Assembly Set 5P M12 S, M16 S and 4 Self Forming Screws FLS applied to the square/octagonal insert
- c) To traditional steel beams > 120 flange dimension: with on-demand Adaptor Plate (tbc)
- d) To Sikla Simotec Steel Beams 100/120: with Bracket Plates FV 100/120 when positive mechanical connection required

The Beam Section TP F 80 connected to the End Support WBD F 80 has to be screwed with 4 Self Forming Screws FLS F. On each of the opposite sides 2 Self Forming Screws FLS F are necessary.

PROSYSTEM ITALIA SRL

Via Friuli venezia Giulia, 15
30030 Pianiga - Venezia - Italy
T +39.041.510.1622
F +39.041.5131351

P.IVA 03470750278
Reg.Imp. Ve 03470750278
Cap.soc. € 90.000,00
REA Padova n° 311219

info@prosystemitalia.com
prosystemitalia.com

TECHNICAL DATA

Type	For flange width[mm]	Dimensions of base plate[mm]	Slots in base plate for	H[mm]
WBD F 80-80/120	80 - 120	220 x 220 x 12	M12	192
WBD F 80-121/160	121 - 160	320 x 260 x 12	M12	192
WBD F 80-161/200	161 - 200	320 x 310 x 12	M16	192
WBD F 80-201/300	201 - 300	420 x 220 x 12	M16	192
WBD F 80-T	80 - 120	220 x 220 x 12	M12	152

Configuration: Base plate welded to square F 80 resp. octagonal element F 80 (nur WBD F 80-T).

Material:

- Plate: Steel, HCP;
- Square F 80: Steel, HCP;
- Octagonal element F 80: Steel, HCP.

APPROVALS

CE mark, according to EN 1090; MPA tested.



Codice	Nome	Peso	Numero di pezzi
192849	F 80-T 80/120	4.8	1

PROSYSTEM ITALIA SRL

Via Friuli venezia Giulia, 15
30030 Pianiga - Venezia - Italy
T +39.041.510.1622
F +39.041.5131351

P.IVA 03470750278
Reg.Imp. Ve 03470750278
Cap.soc. € 90.000,00
REA Padova n° 311219

info@prosystemitalia.com
prosystemitalia.com

Codice	Nome	Peso	Numero di pezzi
192801	F 80 80/120	5.2	1
117164	WBD-P F 80-121/160	8.7	1
117165	WBD-P F 80-161/200	10.2	1
117166	WBD-P F 80-201/310	9.4	1

PROSYSTEM ITALIA SRL

Via Friuli venezia Giulia, 15
30030 Pianiga - Venezia - Italy
T +39.041.510.1622
F +39.041.5131351

P.IVA 03470750278
Reg.Imp. Ve 03470750278
Cap.soc. € 90.000,00
REA Padova n° 311219

info@prosystemitalia.com
prosystemitalia.com