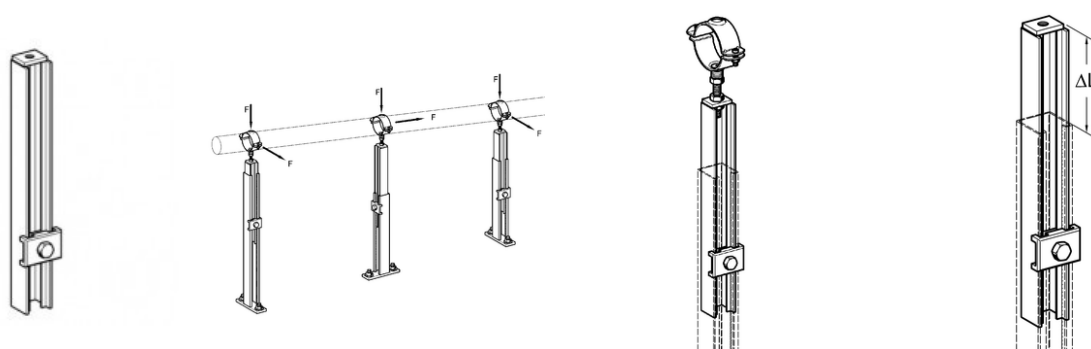


CHANNEL EXTENSION ST 41



APPLICATION

Highly variable extension piece for channels and channel constructions.

- Continuously variable from 0 up to 200 mm, simple adjustment, especially for elevated constructions;
- Ideal for the laying of individual or several pipelines with obligatory declines and for compensation of large tolerances of the building apart from the plans;
- In combination with Sikla Cantilever Brackets 41/41 continuously variable supports up to 1.2 m height are possible.

Suitable for all Sikla Channels MS 41 (height \geq 41 mm).

SCOPE OF DELIVERY

Complete component with pre-assembled Holding Bracket.

PROSYSTEM ITALIA SRL

Via Friuli venezia Giulia, 15
30030 Pianiga - Venezia - Italy
T +39.041.510.1622
F +39.041.5131351

P.IVA 03470750278
Reg.Imp. Ve 03470750278
Cap.soc. € 90.000,00
REA Padova n° 311219

info@prosystemitalia.com
prosystemitalia.com

TECHNICAL DATA

Max permanent load Fperm Advance for torque 40 Nm = 1.5 kN

Material: Steel, electro-galvanised.

Thread connection: M10

Codice	Nome	Peso	Numero di pezzi
189740	ST 41	0.68	10

PROSYSTEM ITALIA SRL

Via Friuli venezia Giulia, 15
30030 Pianiga - Venezia - Italy
T +39.041.510.1622
F +39.041.5131351

P.IVA 03470750278
Reg.Imp. Ve 03470750278
Cap.soc. € 90.000,00
REA Padova n° 311219

info@prosystemitalia.com
prosystemitalia.com