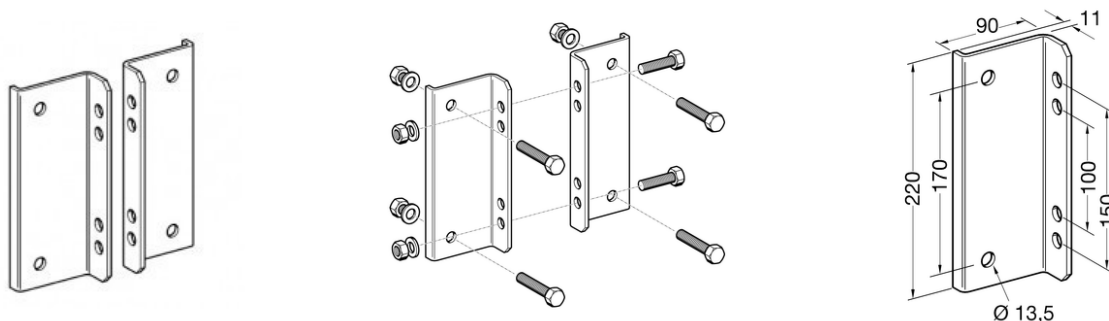


# BRACKET PLATES FV 100/120



## APPLICATION

For safe interlocking connection of a Beam Bracket or an End Support STA to other Beam Brackets TKO (adjustment as per grid with 25 or 50 mm).

## SCOPE OF DELIVERY

Two identical plates.

Accessories:

- 2 Hexagon Bolts M12 x 35;
- 4 Hexagon Bolts M12 x 45;
- 6 Hexagon Nuts M12;
- 6 Washers.

## INSTALLATION

Mount Bracket Plates to Beam Bracket TKO by using 2 Hexagon Bolts

### PROSYSTEM ITALIA SRL

Via Friuli venezia Giulia, 15  
30030 Pianiga - Venezia - Italy  
T +39.041.510.1622  
F +39.041.5131351

P.IVA 03470750278  
Reg.Imp. Ve 03470750278  
Cap.soc. € 90.000,00  
REA Padova n° 311219

[info@prosystemitalia.com](mailto:info@prosystemitalia.com)  
[prosystemitalia.com](http://prosystemitalia.com)

M12 x 35. Then attach requested Beam Bracket TKO or End Support STA by using 4 Hexagon Bolts M12 x 45.

## TECHNICAL DATA

Material:

- Bracket Plates: Steel, hot-dipped galvanised;
- Bolts: Steel, class 8.8, hot-dipped galvanised;
- Nuts: Steel, class 8, hot-dipped galvanised;
- Washers: Steel, hot-dipped galvanised.

| Codice | Nome       | Peso | Numero di pezzi |
|--------|------------|------|-----------------|
| 187616 | FV 100/120 | 2.5  | -               |

### PROSYSTEM ITALIA SRL

Via Friuli venezia Giulia, 15  
30030 Pianiga - Venezia - Italy  
T +39.041.510.1622  
F +39.041.5131351

P.IVA 03470750278  
Reg.Imp. Ve 03470750278  
Cap.soc. € 90.000,00  
REA Padova n° 311219

[info@prosystemitalia.com](mailto:info@prosystemitalia.com)  
[prosystemitalia.com](http://prosystemitalia.com)