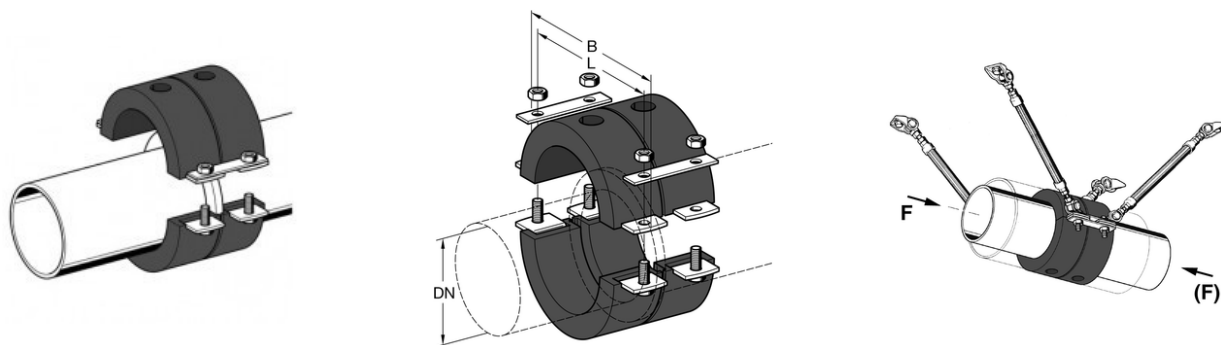


# BRACKET FOR CORRUGATED SHEET SLG INOX



## APPLICATION

Hook for trapezoidal sheet roofs for fixing channels 41 or aluminum channels.

Directions:

The load data do not take into account the type of roof structure. Carefully follow the instructions for loading and use indicated in the tables of the manufacturer of the roof.

And 'necessary

## INSTALLATION

Place the bracket on the fold of the sheet metal and secure with 4 self-tapping screws (supplied separately) or 4 rivets flower (supplied separately).

## TECHNICAL DATA

Material: Stainless Steel A2-AISI 304.

Dimensions slots: 30 x 11 mm

### PROSYSTEM ITALIA SRL

Via Friuli venezia Giulia, 15  
30030 Pianiga - Venezia - Italy  
T +39.041.510.1622  
F +39.041.5131351

P.IVA 03470750278  
Reg.Imp. Ve 03470750278  
Cap.soc. € 90.000,00  
REA Padova n° 311219

[info@prosystemitalia.com](mailto:info@prosystemitalia.com)  
[prosystemitalia.com](http://prosystemitalia.com)

Thickness: 2.5 mm

Are available on request plates with width and angle to fit the corrugated support.

Type[NB]	InsulationthicknessS [mm]	Max. Load ofFixed Pointshear [kN]	L [mm]	B [mm]
76.1	30	2.0	171	202
88.9	30	2.0	179	206
108	30	2.5	200	220
114.3	40	3.0	230	274
133	40	3.5	264	300
139.7	40	5.0	264	300
168.3	40	5.5	288	328
219.1	60	9.5	399	439
273	60	13.0	453	493
323.9	60	14.5	504	544

Codice	Nome	Peso	Numero di pezzi
190271	76,1 mm 2 ½"	2.02	1
190289	88,9 mm 3"	2.4	1
190298	108 mm	3.48	1
190307	114 mm 4"	4.7	1
190316	133 mm	5.5	1
190325	139 mm 5"	4.82	1
190343	168 mm 6"	5.62	1
190352	219 mm 8"	16.14	1
190379	274 mm 10"	17.54	1

**PROSYSTEM ITALIA SRL**

Via Friuli venezia Giulia, 15  
30030 Pianiga - Venezia - Italy  
T +39.041.510.1622  
F +39.041.5131351

P.IVA 03470750278  
Reg.Imp. Ve 03470750278  
Cap.soc. € 90.000,00  
REA Padova n° 311219

[info@prosystemitalia.com](mailto:info@prosystemitalia.com)  
[prosystemitalia.com](http://prosystemitalia.com)

Codice	Nome	Peso	Numero di pezzi
190388	324 mm 12"	23.34	1

---

**PROSYSTEM ITALIA SRL**

Via Friuli venezia Giulia, 15  
30030 Pianiga - Venezia - Italy  
T +39.041.510.1622  
F +39.041.5131351

P.IVA 03470750278  
Reg.Imp. Ve 03470750278  
Cap.soc. € 90.000,00  
REA Padova n° 311219

[info@prosystemitalia.com](mailto:info@prosystemitalia.com)  
[prosystemitalia.com](http://prosystemitalia.com)