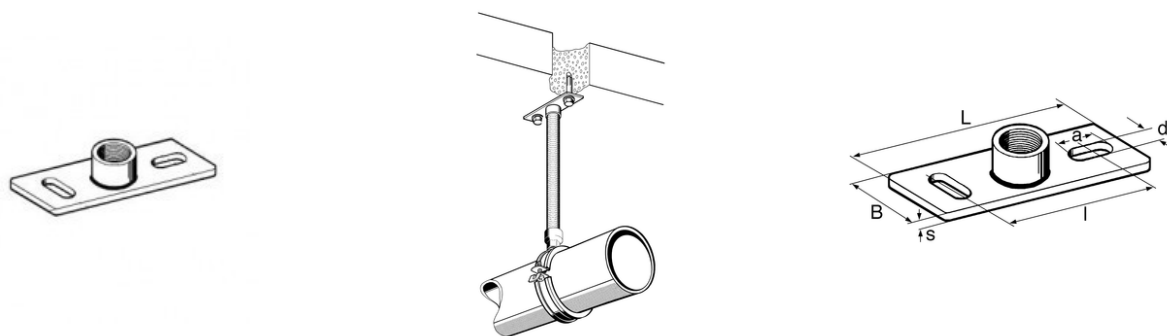


MOUNTING PLATE GPL SS



APPLICATION

For wall, ceiling and floor installation for mounting elements in M&E services.

TECHNICAL DATA

The nominal loads mentioned shouldn't be exceeded. Permissible anchor values may restrict the application.

Versione/Tipo	Max carico disicurezza [kN]	Max momento flettente*[Nm]	Braccio massimo Lmax [mm]	Dimension L x W x Th [mm]	Elongated hole d x a [mm]	Centre distance l
Stabil M8	3.0	8.8	150	120 x 40 x 4	11 x 25	80
Stabil M10	3.0	17.2	200	120 x 40 x 4	11 x 25	80
Stabil M12	3.0	29.6	300	120 x 40 x 4	11 x 25	80
Stabil M16	4.5	70.3	300	120 x 40 x 4	11 x 25	80
Stabil R 1/2"	4.5	95.0	350	120 x 40 x 4	11 x 25	80
Stabil R 3/4"	6.2	180.0	450	120 x 40 x 4	11 x 25	80

PROSYSTEM ITALIA SRL

Via Friuli venezia Giulia, 15
30030 Pianiga - Venezia - Italy
T +39.041.510.1622
F +39.041.5131351

P.IVA 03470750278
Reg.Imp. Ve 03470750278
Cap.soc. € 90.000,00
REA Padova n° 311219

info@prosystemitalia.com
prosystemitalia.com

*Limitation caused by the Mounting Plate or the loading capacity of the grub screw or of the threaded tube.

$\sigma_{perm} \leq 160 \text{ N/mm}^2$ $f_{perm} < 5 \text{ mm}$ Material:Stainless steel A4

Codice	Nome	Peso	Numero di pezzi
107608	M 8 A4	0.14	50
107617	M10 A4	0.14	50
107626	M12 A4	0.14	50
107635	M16 A4	0.16	50
107644	1/2" A4	0.16	50
107653	3/4" A4	0.17	50

PROSYSTEM ITALIA SRL

Via Friuli venezia Giulia, 15
30030 Pianiga - Venezia - Italy
T +39.041.510.1622
F +39.041.5131351

P.IVA 03470750278
Reg.Imp. Ve 03470750278
Cap.soc. € 90.000,00
REA Padova n° 311219

info@prosystemitalia.com
prosystemitalia.com