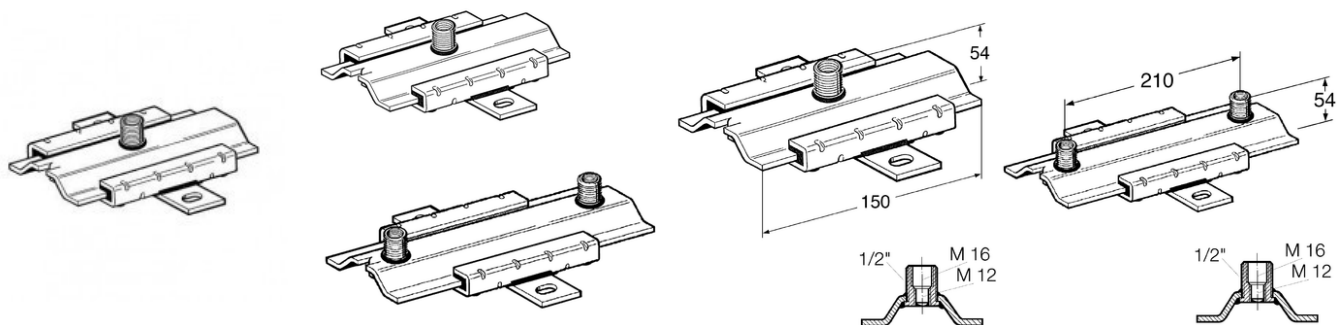


SLIDE SET GS H3G-PL SS



APPLICATION

Heavy-duty Slide Set for plant construction, to be used on Channels, brick or concrete walls and on bearers. This Slide Set is especially suitable for bolted mounting to the building structure.

To be used preferably in combination with pipe clamps Stabil D-3G ss. Various connection options of the pipe clamps depending on the respective load:

M12, M16 or with 1/2" adapters ss using the external thread (see Adapter f/f ss).

Sound absorption by means of slide rails in glass fibre reinforced polyamide.

Especially suitable for ceiling and floor mounting solutions and as a guide for rising pipes.

INSTALLATION

For pipes of NB 100 or larger having to be spaced at a distance from the Slide Set, or under conditions of reversed bending stress, the 3G triple thread nuts are to be secured by screwing on a 1/2" stainless steel Locking Nut.

TECHNICAL DATA

Permissible load for ceiling mounting: 5.0 kN

PROSYSTEM ITALIA SRL

Via Friuli venezia Giulia, 15
30030 Pianiga - Venezia - Italy
T +39.041.510.1622
F +39.041.5131351

P.IVA 03470750278
Reg.Imp. Ve 03470750278
Cap.soc. € 90.000,00
REA Padova n° 311219

info@prosystemitalia.com
prosystemitalia.com

Permissible load for floor mounting: 9.0 kN

Lever arm Lmax: 400 mm

Maximum sliding distance H3G-PL: 100 mm

Temperature range: 130°C (permanent exposure)

Static friction coefficient μ_0 : 0.18

Sliding friction coefficient μ : 0.14

Material:

- Metal components and slide rails: Stainless steel A4.

Codice	Nome	Peso	Numero di pezzi
170152	H3G-PL A4	1.39	10
170134	H3G2-PL A4	1.77	10

PROSYSTEM ITALIA SRL

Via Friuli venezia Giulia, 15
30030 Pianiga - Venezia - Italy
T +39.041.510.1622
F +39.041.5131351

P.IVA 03470750278
Reg.Imp. Ve 03470750278
Cap.soc. € 90.000,00
REA Padova n° 311219

info@prosystemitalia.com
prosystemitalia.com