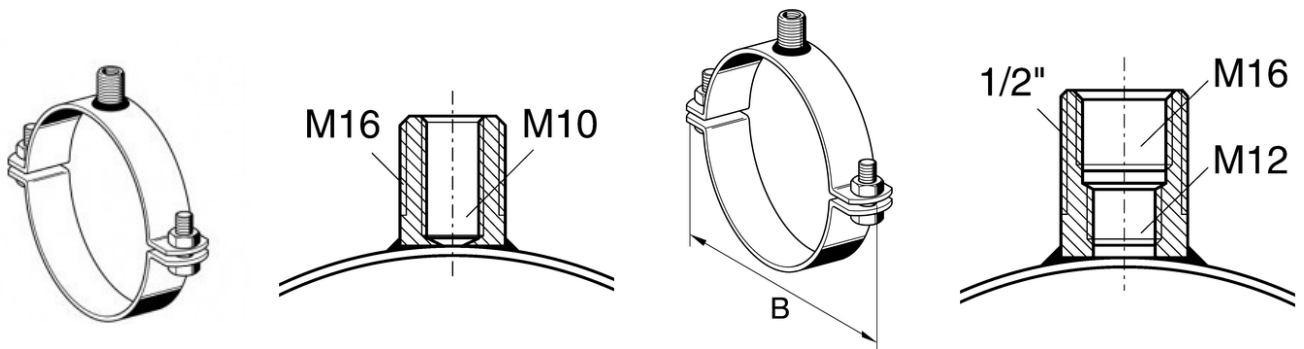


STABIL D-2G/-3G SS



APPLICATION

For the installation of pipes required for all M&E services in industrial, residential and public buildings.

SCOPE OF DELIVERY

Two-piece pipe clamp with clamping bolts and nuts (supplied loose).

INSTALLATION

Suitable for single-point mounting either directly by means of a threaded rod or by connecting to a Threaded Tube up to 1" using an adapter.

TECHNICAL DATA

Max. perm. working load (tension):

- Stabil D-2G: 5 kN

PROSYSTEM ITALIA SRL

Via Friuli venezia Giulia, 15
30030 Pianiga - Venezia - Italy
T +39.041.510.1622
F +39.041.5131351

P.IVA 03470750278
Reg.Imp. Ve 03470750278
Cap.soc. € 90.000,00
REA Padova n° 311219

info@prosystemitalia.com
prosystemitalia.com

- Stabil D-3G: 6 kN

Material: Stainless steel A4.

Size range[mm]	Max. adm. load [kN]	Tightening torque [Nm]	Threadconnection	MaterialW x th[mm]	B [mm]
18 - 22	5.0	3	2G	25 x 3	70
24 - 28	5.0	3	2G	25 x 3	77
30 - 34	5.0	3	2G	25 x 3	84
35 - 37	5.0	3	2G	25 x 3	87
40 - 44	5.0	3	2G	25 x 3	95
47 - 51	5.0	3	2G	25 x 3	102
54 - 58	5.0	3	2G	25 x 3	109
59 - 63	5.0	3	2G	25 x 3	115
67 - 71	5.0	3	2G	25 x 3	123
74 - 78	6.0	5	2G	30 x 3	140
81 - 85	6.0	5	2G	30 x 3	147
86 - 90	6.0	5	3G	30 x 3	152
94 - 98	6.0	5	3G	30 x 3	160
102 - 108	6.0	5	3G	30 x 3	170
108 - 114	6.0	5	3G	30 x 3	176
116 - 122	6.0	5	3G	30 x 3	184
133 - 140	8.0	10	3G	40 x 4	217
145 - 152	8.0	10	3G	40 x 4	229
159 - 169	8.0	10	3G	40 x 4	245
170 - 180	8.0	10	3G	40 x 4	257
198 - 207	8.0	10	3G	40 x 4	284
210 - 219	11.0	20	3G	40 x 4	304

PROSYSTEM ITALIA SRL

Via Friuli venezia Giulia, 15
30030 Pianiga - Venezia - Italy
T +39.041.510.1622
F +39.041.5131351

P.IVA 03470750278
Reg.Imp. Ve 03470750278
Cap.soc. € 90.000,00
REA Padova n° 311219

info@prosystemitalia.com
prosystemitalia.com

Size range[mm]	Max. adm. load [kN]	Tightening torque [Nm]	Threadconnection	MaterialW x th[mm]	B [mm]
222 - 231	11.0	20	3G	40 x 4	316

Codice	Nome	Peso	Numero di pezzi
172568	18 - 22 mm ½"	0.14	50
172577	24 - 28 mm ¾"	0.15	50
172586	30 - 34 mm 1"	0.16	50
172595	35 - 37 mm	0.17	50
172604	40 - 44 mm 1 ¼"	0.17	50
172613	47 - 51 mm 1 ½"	0.2	50
172622	54 - 58 mm	0.21	50
172631	59 - 63 mm 2"	0.21	50
172856	67 - 71 mm	0.22	50
172640	74 - 78 mm 2 ½"	0.33	25
172865	81 - 85 mm	0.34	25
172649	86 - 90 mm 3"	0.36	25
172874	94 - 98 mm	0.4	25
173153	102 - 108 mm	0.41	25
172658	108 - 114 mm 4"	0.42	25
172883	116 - 122 mm	0.43	25
172667	133 - 140 mm 5"	0.82	10
172892	145 - 152 mm	0.87	10
172676	159 - 169 mm 6"	0.9	10

PROSYSTEM ITALIA SRL

Via Friuli venezia Giulia, 15
 30030 Pianiga - Venezia - Italy
 T +39.041.510.1622
 F +39.041.5131351

P.IVA 03470750278
 Reg.Imp. Ve 03470750278
 Cap.soc. € 90.000,00
 REA Padova n° 311219

info@prosystemitalia.com
prosystemitalia.com

Codice	Nome	Peso	Numero di pezzi
172901	170 - 180 mm	0.95	10
172685	198 - 207 mm	1.08	10
172694	210 - 219 mm 8"	1.26	10
172910	222 - 231 mm	1.33	10

PROSYSTEM ITALIA SRL

Via Friuli venezia Giulia, 15
30030 Pianiga - Venezia - Italy
T +39.041.510.1622
F +39.041.5131351

P.IVA 03470750278
Reg.Imp. Ve 03470750278
Cap.soc. € 90.000,00
REA Padova n° 311219

info@prosystemitalia.com
prosystemitalia.com