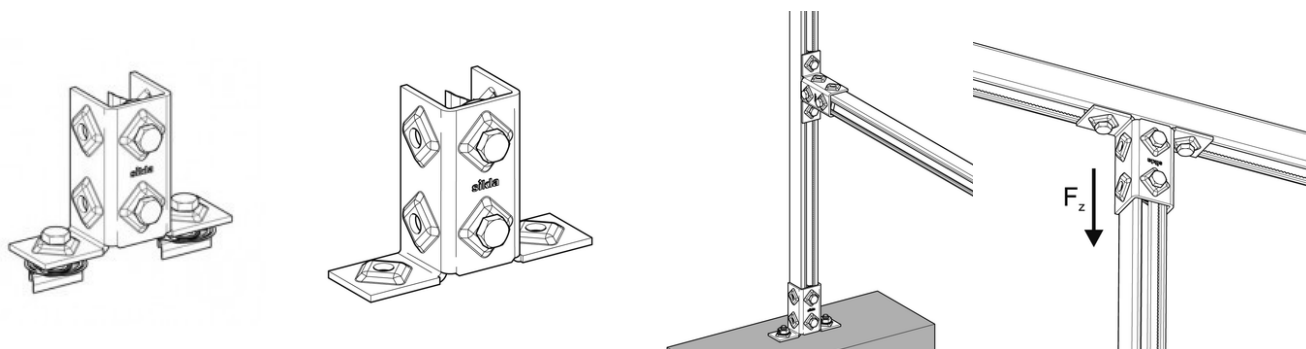


PIASTRA ANGOLARE EV CC 41-2



APPLICATION

Pre-assembled connecting element for three-dimensional frame structures, optimised for linking channels of the 41 series at an angle of 90°. Preferably used in combination with 41/41 square channels. Version W is used for connection to wall, floor or ceilings. The adjustment for the channel opening could still be chosen.

Fast-Technique for 90° joints of Channel System 41Locks automatically when being put in place and supports its own weight. Secure, form-locking, non-positive connection. Serrated Channel Nut with Hexagon Bolt M10. Ideal shaping for high stiffness. The proven Sikla rhomb guarantees a secure torque and preload force.

INSTALLATION

To be used in pairs.

TECHNICAL DATA

Max. per. working load: $F_z = 5 \text{ kN}$ - $F_z = 10 \text{ kN}$ Tightening torque: 50 Nm Material: Steel, HCP.

| Codice | Nome | Peso | Numero di pezzi |
|--------|-----------------|------|-----------------|
| 117457 | EV CC41-2 HCP | 0.7 | 10 |
| 117459 | EV CC41-2 W HCP | 0.58 | 10 |

PROSYSTEM ITALIA SRL

Via Friuli venezia Giulia, 15
30030 Pianiga - Venezia - Italy
T +39.041.510.1622
F +39.041.5131351

P.IVA 03470750278
Reg.Imp. Ve 03470750278
Cap.soc. € 90.000,00
REA Padova n° 311219

info@prosystemitalia.com
prosystemitalia.com