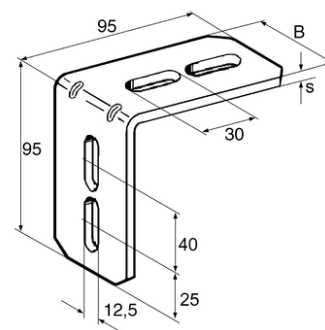
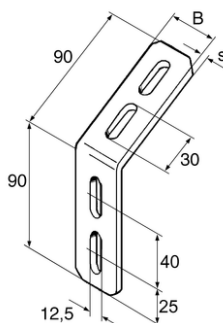
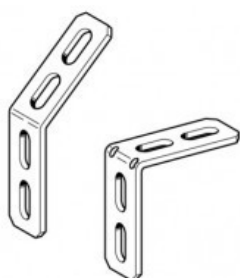


FIXING BRACKET MW HCP



APPLICATION

Suitable for channels of 41 series.

Useful addition to Support Brackets for integration in crossbars and other structures composed of hot-dipped galvanised channels.

TECHNICAL DATA

Material: Steel, HCP.

Type	B[mm]	s[mm]
90/90/45°	40	5
90/90/30°	40	4
95/95/90°	40	5

Codice	Nome	Peso	Numero di pezzi
--------	------	------	-----------------

PROSYSTEM ITALIA SRL

Via Friuli venezia Giulia, 15
30030 Pianiga - Venezia - Italy
T +39.041.510.1622
F +39.041.5131351

P.IVA 03470750278
Reg.Imp. Ve 03470750278
Cap.soc. € 90.000,00
REA Padova n° 311219

info@prosystemitalia.com
prosystemitalia.com

Codice	Nome	Peso	Numero di pezzi
162036	95/95/90°	0.23	25
194041	95/95/30°	0.19	25
162045	90/90/45°	0.23	25

PROSYSTEM ITALIA SRL

Via Friuli venezia Giulia, 15
30030 Pianiga - Venezia - Italy
T +39.041.510.1622
F +39.041.5131351

P.IVA 03470750278
Reg.Imp. Ve 03470750278
Cap.soc. € 90.000,00
REA Padova n° 311219

info@prosystemitalia.com
prosystemitalia.com