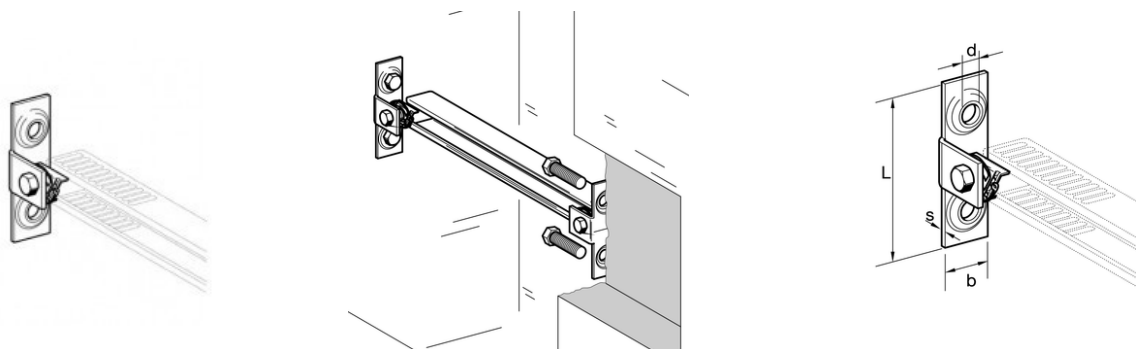


# T BRACKET MOS 27



## APPLICATION

Used for installing crossbars between channels 27 or building structures.

Note: Each crossbar requires two T Brackets.

## SCOPE OF DELIVERY

Pre-assembled with holding bracket and hexagon bolt.

## TECHNICAL DATA

Material: Steel, electro-galvanised.

Type[mm]	L [mm]	d [mm]	b x s [mm]
MOS 27	88	10,5	26 x 3

### PROSYSTEM ITALIA SRL

Via Friuli venezia Giulia, 15  
30030 Pianiga - Venezia - Italy  
T +39.041.510.1622  
F +39.041.5131351

P.IVA 03470750278  
Reg.Imp. Ve 03470750278  
Cap.soc. € 90.000,00  
REA Padova n° 311219

[info@prosystemitalia.com](mailto:info@prosystemitalia.com)  
[prosystemitalia.com](http://prosystemitalia.com)

Codice	Nome	Peso	Numero di pezzi
195871	MOS 27	0.08	10

---

**PROSYSTEM ITALIA SRL**

Via Friuli venezia Giulia, 15  
30030 Pianiga - Venezia - Italy  
T +39.041.510.1622  
F +39.041.5131351

P.IVA 03470750278  
Reg.Imp. Ve 03470750278  
Cap.soc. € 90.000,00  
REA Padova n° 311219

[info@prosystemitalia.com](mailto:info@prosystemitalia.com)  
[prosystemitalia.com](http://prosystemitalia.com)