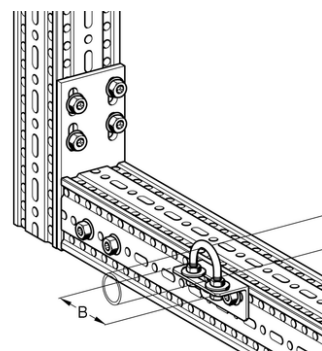
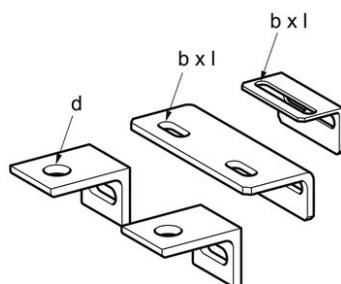
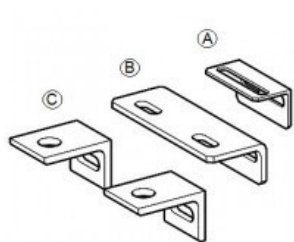


# U BOLT FASTENING F



## APPLICATION

U Bolt Fastening to connect standard U-Bolts required for pipework to the supporting Beam Sections, Cantilever Brackets and Beam Brackets F80 or F100.

## SCOPE OF DELIVERY

For U-bolts  $\geq 4$ " always 2 U-bolt fastenings F are needed sold individually.

## TECHNICAL DATA

Material: Steel, HCP or hot-dipped galvanised.

Type	B [mm]
UB F 1/2" - 1 1/2"	85
UB F 2" - 3"	165
UB F 4" - 6"	45
UB F 8" - 12"	45

### PROSYSTEM ITALIA SRL

Via Friuli venezia Giulia, 15  
30030 Pianiga - Venezia - Italy  
T +39.041.510.1622  
F +39.041.5131351

P.IVA 03470750278  
Reg.Imp. Ve 03470750278  
Cap.soc. € 90.000,00  
REA Padova n° 311219

[info@prosystemitalia.com](mailto:info@prosystemitalia.com)  
[prosystemitalia.com](http://prosystemitalia.com)

Type	B [mm]
UB F 378 - 530	45

Codice	Nome	Peso	Numero di pezzi
192931	F 80 1/2"-1 1/2"	0.13	25
196212	F 80 2"- 3"	0.64	-
113124	F 80 4"- 6"	0.18	20
113125	F 80 8"-12"	0.18	20
113126	F 80 378-530	0.18	20

**PROSYSTEM ITALIA SRL**

Via Friuli venezia Giulia, 15  
30030 Pianiga - Venezia - Italy  
T +39.041.510.1622  
F +39.041.5131351

P.IVA 03470750278  
Reg.Imp. Ve 03470750278  
Cap.soc. € 90.000,00  
REA Padova n° 311219

[info@prosystemitalia.com](mailto:info@prosystemitalia.com)  
[prosystemitalia.com](http://prosystemitalia.com)