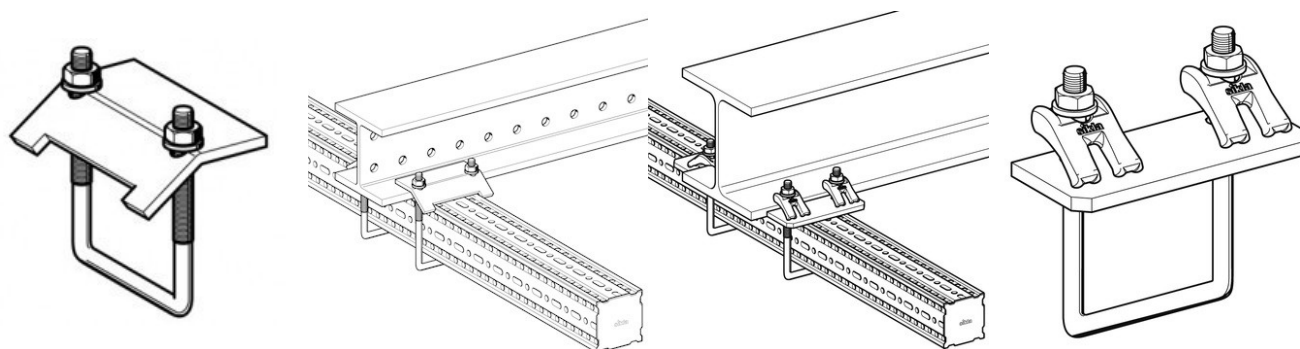


U-HOLDER SB F 80



APPLICATION

Pre-assembled component to clamp Beam Section F 80 to the flange side of traditional steel sections.

SCOPE OF DELIVERY

Type SB F 80-16:

- Holder with thread M10;
- Plate;
- 2 Hexagon nuts M10;
- 2 Washers.

Type SB F 80-40:

- Holder with thread M12;
- Plate;
- 2 Beam Clips SPA 5P AU;
- 2 Hexagon nuts M12.

PROSYSTEM ITALIA SRL

Via Friuli venezia Giulia, 15
30030 Pianiga - Venezia - Italy
T +39.041.510.1622
F +39.041.5131351

P.IVA 03470750278
Reg.Imp. Ve 03470750278
Cap.soc. € 90.000,00
REA Padova n° 311219

info@prosystemitalia.com
prosystemitalia.com

INSTALLATION

U-holder to be used in pairs.

Type 16 up to flange thickness 16 mm

Type 40 up to flange thickness 40 mm

TECHNICAL DATA

Type	Thread	Max. adm. tensile load	Tightening torque
SB F 80-16	M10	8,5 kN	40 Nm
SB F 80-40	M12	16,0 kN	85 Nm

Material: Steel, HCP.

Codice	Nome	Peso	Numero di pezzi
192683	SB F 80/16 mm	0.58	20
194010	SB F 80/40 mm	1.45	10

PROSYSTEM ITALIA SRL

Via Friuli venezia Giulia, 15
30030 Pianiga - Venezia - Italy
T +39.041.510.1622
F +39.041.5131351

P.IVA 03470750278
Reg.Imp. Ve 03470750278
Cap.soc. € 90.000,00
REA Padova n° 311219

info@prosystemitalia.com
prosystemitalia.com