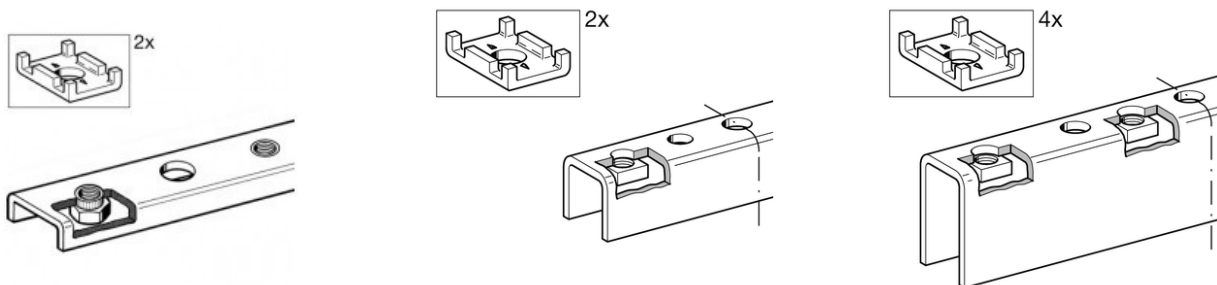


CHANNEL CONNECTOR SK



APPLICATION

Developed for easily and safely joining Channels on or for pre-assembly in the workshop with a minimum of individual parts.

The overall design ensures there is no static weak point near the channel connector when single channels are connected. For single channels, the figures as indicated on page 3-7 are applicable.

SCOPE OF DELIVERY

With 41 Holding Brackets and hexagon nuts (supplied loose).

Installation To guarantee the static values, the supplied elements have to be used. For extension of double channels, see advice brochure "Installation Guidelines".

TECHNICAL DATA

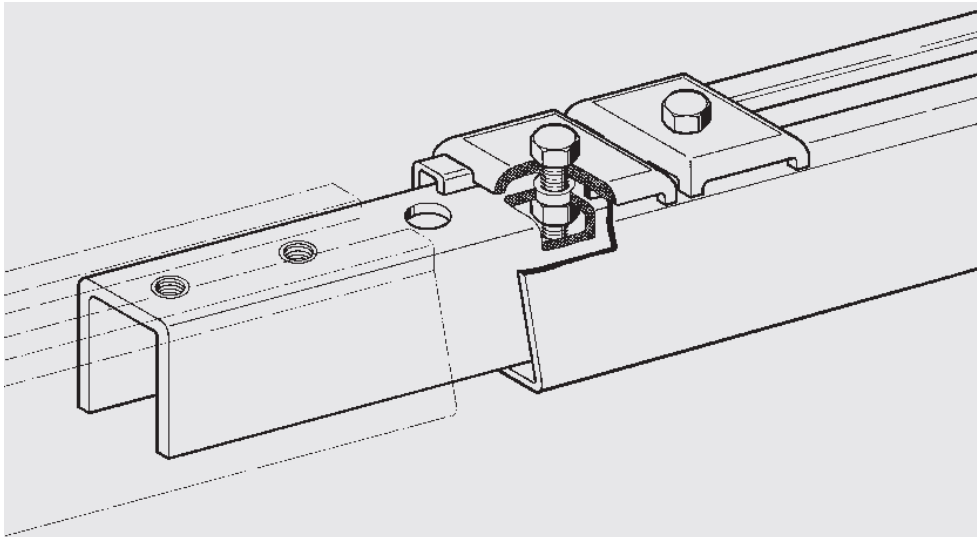
Material: Malleable iron, electro-galvanised.

PROSYSTEM ITALIA SRL

Via Friuli venezia Giulia, 15
30030 Pianiga - Venezia - Italy
T +39.041.510.1622
F +39.041.5131351

P.IVA 03470750278
Reg.Imp. Ve 03470750278
Cap.soc. € 90.000,00
REA Padova n° 311219

info@prosystemitalia.com
prosystemitalia.com



Codice	Nome	Peso	Numero di pezzi
177599	SK 41/21	0.4	10
155115	SK 41/41	0.59	10
155124	SK 41/62	1.35	10
177626	SK 41-75/75	1.61	10

PROSYSTEM ITALIA SRL

Via Friuli venezia Giulia, 15
30030 Pianiga - Venezia - Italy
T +39.041.510.1622
F +39.041.5131351

P.IVA 03470750278
Reg.Imp. Ve 03470750278
Cap.soc. € 90.000,00
REA Padova n° 311219

info@prosystemitalia.com
prosystemitalia.com