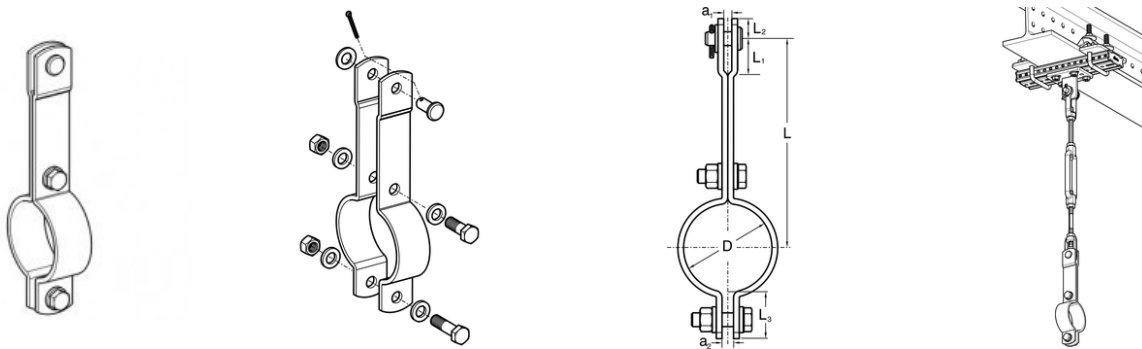


# STABIL C LK



## APPLICATION

Industrial pipe clamp following VGB-R 510 L for standard industrial pipe supports. The pipe clamp Stabil Form C LK can be used as pendulum suspension or as part of a rod hanger.

Scope of delivery With screws and nuts (class 8.8 or 8) and bolts incl. splint. The pipe clamp is delivered pre-assembled.

## TECHNICAL DATA

Type	perm. load[kN]	recommended RodHanger Arrangement LKV
22 - 89	4.0	LKV M10 / LKV M12
115 - 169	5.4	LKV M16
220 - 324	9.3	LKV M16

The implementation and construction requirements of the components, their design as well as their verifications and load tests were carried out following the standards VGB R 510 L part I, KTA 3205.3 and DIN EN 13480-3.

Type	D[mm]	a1[mm]	a2[mm]	L[mm]	L1[mm]	L2[mm]	L3[mm]	B x S[mm]
22	22	7	10	90	29	12	33	30 x 5

### PROSYSTEM ITALIA SRL

Via Friuli venezia Giulia, 15  
30030 Pianiga - Venezia - Italy  
T +39.041.510.1622  
F +39.041.5131351

P.IVA 03470750278  
Reg.Imp. Ve 03470750278  
Cap.soc. € 90.000,00  
REA Padova n° 311219

[info@prosystemitalia.com](mailto:info@prosystemitalia.com)  
[prosystemitalia.com](http://prosystemitalia.com)

Type	D[mm]	a1[mm]	a2[mm]	L[mm]	L1[mm]	L2[mm]	L3[mm]	B x S[mm]
27	27	7	10	93	29	12	34	30 x 5
34	34	7	10	107	29	12	35	30 x 5
44	44	7	10	113	29	12	36	30 x 5
49	49	7	10	126	29	12	36	30 x 5
61	61	7	10	144	28	18	40	40 x 5
77	77	7	10	183	28	18	41	40 x 5
89	89	7	10	189	28	18	41	40 x 5
115	115	11	16	221	38	23	41	50 x 6
140	140	11	16	234	38	23	41	50 x 6
169	169	11	16	249	38	23	41	50 x 6
220	220	11	16	280	38	23	47	50 x 8
273	273	11	16	311	38	23	56	60 x 8
324	324	11	16	336	38	23	56	60 x 8

Material: Steel, HCP

Codice	Nome	Peso	Numero di pezzi
113103		0.45	25
113104		0.48	25
113105		0.54	25
113106		0.57	25
113107		0.58	25
113108		0.98	10
113109		1.17	10
113110		1.24	10

**PROSYSTEM ITALIA SRL**

Via Friuli venezia Giulia, 15  
30030 Pianiga - Venezia - Italy  
T +39.041.510.1622  
F +39.041.5131351

P.IVA 03470750278  
Reg.Imp. Ve 03470750278  
Cap.soc. € 90.000,00  
REA Padova n° 311219

[info@prosystemitalia.com](mailto:info@prosystemitalia.com)  
[prosystemitalia.com](http://prosystemitalia.com)

Codice	Nome	Peso	Numero di pezzi
113111		1.83	10
113112		1.98	10
113113		2.16	1
113114		3.74	1
113115		5.24	1
113116		5.84	1
113919	SUPPORTO REGOLABILE LKV M10	0.32	10

**PROSYSTEM ITALIA SRL**

Via Friuli venezia Giulia, 15  
30030 Pianiga - Venezia - Italy  
T +39.041.510.1622  
F +39.041.5131351

P.IVA 03470750278  
Reg.Imp. Ve 03470750278  
Cap.soc. € 90.000,00  
REA Padova n° 311219

[info@prosystemitalia.com](mailto:info@prosystemitalia.com)  
[prosystemitalia.com](http://prosystemitalia.com)