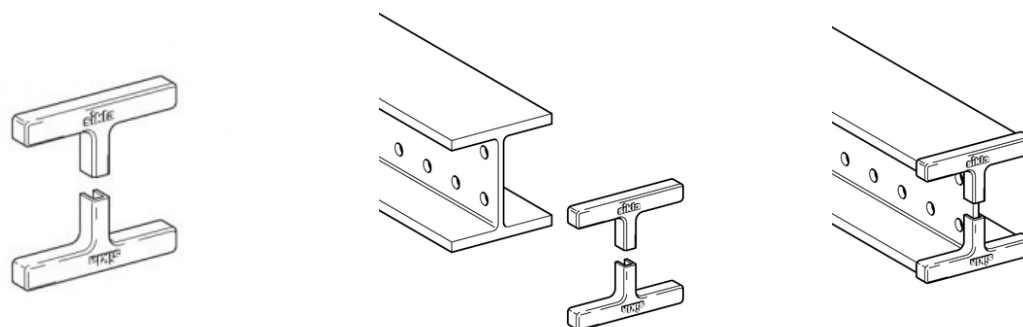


END CAP ADK



APPLICATION

Suitable as end cap for STF 100/120 Beams, Beam Brackets, Beam Angles and other elements based on the Simotec Beam STF 100/120 or any HEA 100/120 shape steel beam. The signal colour is helpful in accident prevention.

SCOPE OF DELIVERY

Loose, two End Caps are necessary for each beam end.

TECHNICAL DATA

Material: HDPE (for temperature range -20° to + 80°C), yellow.

Codice	Nome	Peso	Numero di pezzi
190433	ADK 100	0.02	-
173189	ADK 120	0.02	50

PROSYSTEM ITALIA SRL

Via Friuli venezia Giulia, 15
30030 Pianiga - Venezia - Italy
T +39.041.510.1622
F +39.041.5131351

P.IVA 03470750278
Reg.Imp. Ve 03470750278
Cap.soc. € 90.000,00
REA Padova n° 311219

info@prosystemitalia.com
prosystemitalia.com