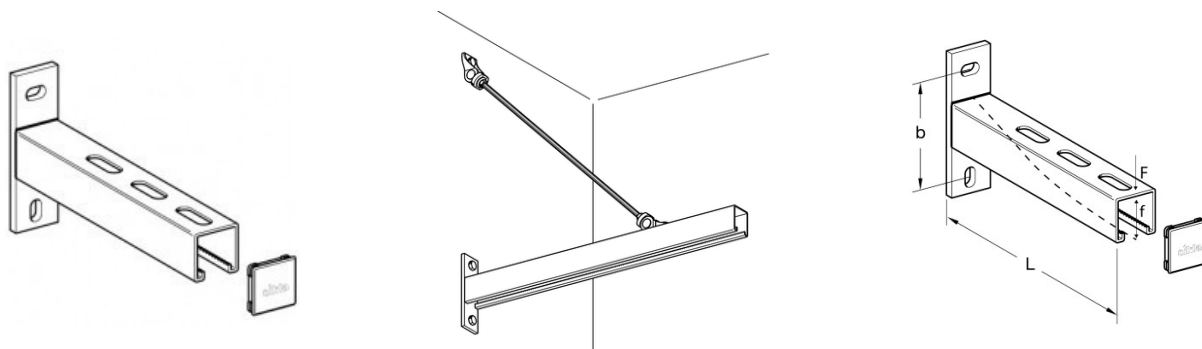


CANTILEVER BRACKET 41/41



APPLICATION

Ready-to-use bracket for mounting pipes to walls or other building structures.

INSTALLATION

When used in combination with sliding elements, a tied rod is absolutely essential for absorbing the forces running along the centre line of the pipe.

For cantilever lengths > 500 mm we recommend the integration of a prop-up.

TECHNICAL DATA

Material: Steel.

Fixing plate: 134 x 40 x 8 mm

Buttonhole dimension: 13 x 18 mm

b: 100 mm

PROSYSTEM ITALIA SRL

Via Friuli venezia Giulia, 15
30030 Pianiga - Venezia - Italy
T +39.041.510.1622
F +39.041.5131351

P.IVA 03470750278
Reg.Imp. Ve 03470750278
Cap.soc. € 90.000,00
REA Padova n° 311219

info@prosystemitalia.com
prosystemitalia.com

Codice	Nome	Peso	Numero di pezzi
115609	41/41 L= 200 mm	0.68	10
153973	41/41 L= 260 mm	0.81	10
115618	41/41 L= 320 mm	1.09	10
115627	41/41 L= 445 mm	1.16	10
115636	41/41 L= 570 mm	1.6	10
149268	41/41 L= 820 mm	1.89	1
149277	41/41 L= 1010 mm	2.73	1
113296	41/62 L= 320 mm	1.42	10
113297	41/62 L= 445 mm	1.76	10
113298	41/62 L= 570 mm	2.25	10
113300	41/62 L= 1010 mm	3.59	1

PROSYSTEM ITALIA SRL

Via Friuli venezia Giulia, 15
30030 Pianiga - Venezia - Italy
T +39.041.510.1622
F +39.041.5131351

P.IVA 03470750278
Reg.Imp. Ve 03470750278
Cap.soc. € 90.000,00
REA Padova n° 311219

info@prosystemitalia.com
prosystemitalia.com