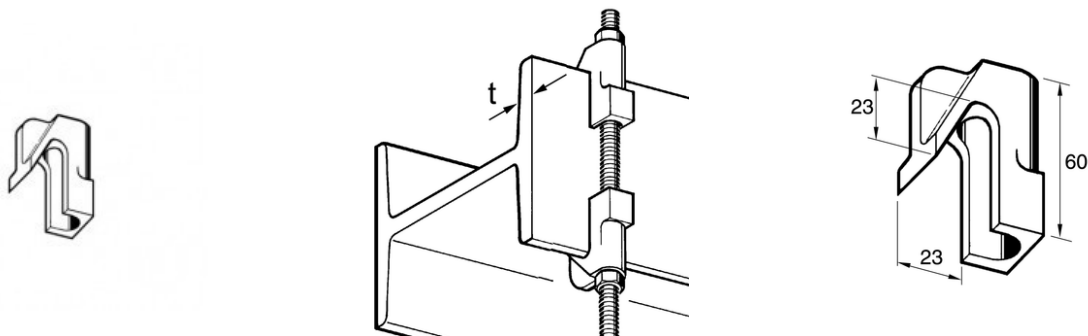


# HOOK SLEEVE SP



## APPLICATION

Used in combination with profiled beams as a holder for single-point mountings or for mounting crossbars.

## INSTALLATION

Equipped with a ( $\varnothing$  13 mm) boring for use with M8 to M12 grub screws. When using an M8 grub screw, we recommend the use of a flange nut. First tighten sturdy, after that tighten up with max 1 1/2 turns.

## TECHNICAL DATA

Material: Malleable cast iron, electro-galvanised.

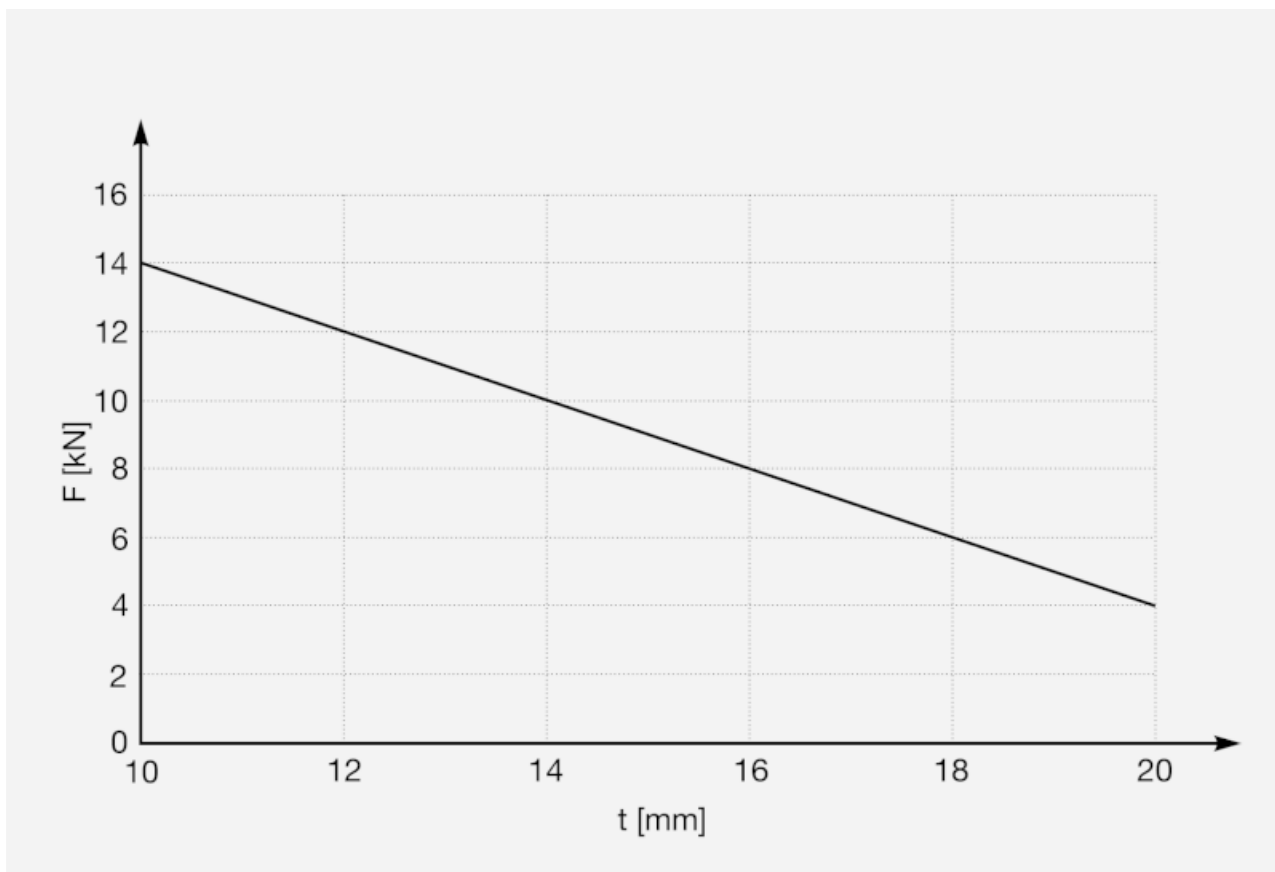
Load values:

### PROSYSTEM ITALIA SRL

Via Friuli venezia Giulia, 15  
30030 Pianiga - Venezia - Italy  
T +39.041.510.1622  
F +39.041.5131351

P.IVA 03470750278  
Reg.Imp. Ve 03470750278  
Cap.soc. € 90.000,00  
REA Padova n° 311219

[info@prosystemitalia.com](mailto:info@prosystemitalia.com)  
[prosystemitalia.com](http://prosystemitalia.com)



Codice	Nome	Peso	Numero di pezzi
106777	SP M8-M12	0.12	50

**PROSYSTEM ITALIA SRL**

Via Friuli venezia Giulia, 15  
30030 Pianiga - Venezia - Italy  
T +39.041.510.1622  
F +39.041.5131351

P.IVA 03470750278  
Reg.Imp. Ve 03470750278  
Cap.soc. € 90.000,00  
REA Padova n° 311219

[info@prosystemitalia.com](mailto:info@prosystemitalia.com)  
[prosystemitalia.com](http://prosystemitalia.com)