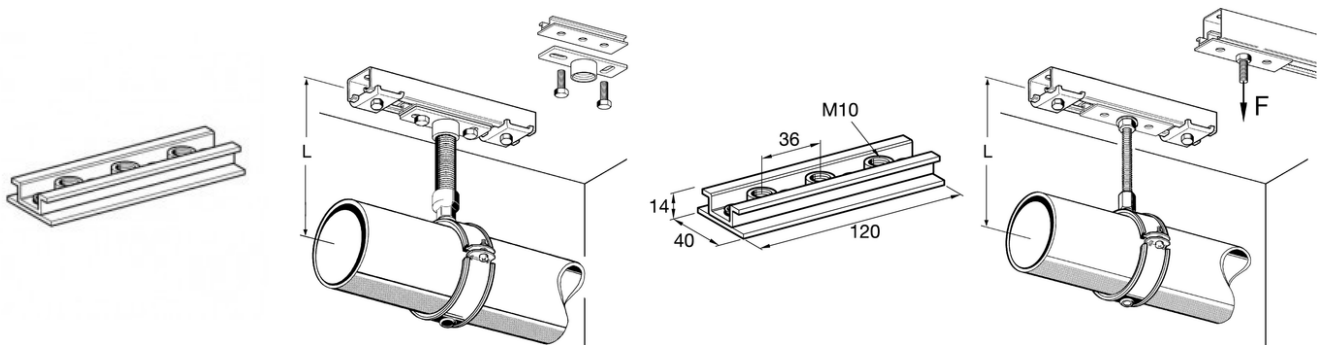


SLIDE ELEMENT GS 41



APPLICATION

Slide element for use in Channels of the 41 series. For single and, using a Tandem Connector, double mounting options.

The sliding distance is determined by the length of the rail. Holding Brackets are to be used for securing the slide element. Alternatively, the Channel Holder SH may be used.

Any option in combination with Pipe Clamps Ratio S and Stabil D-3G may be realised.

Various connection options with pipe clamps in the range between M12 and R1". For these connection options, the corresponding Mounting Plate could be screwed directly with the slide element by means of bolts M10 x 20.

Suitable for ceiling and floor mounting solutions and as a guide for rising pipes.

TECHNICAL DATA

Permissible load overhead mounting:

Single mounting: 6 kN

Double mounting: 8 kN

The permissible load capacity of the channel has to be respected.

PROSYSTEM ITALIA SRL

Via Friuli venezia Giulia, 15
30030 Pianiga - Venezia - Italy
T +39.041.510.1622
F +39.041.5131351

P.IVA 03470750278
Reg.Imp. Ve 03470750278
Cap.soc. € 90.000,00
REA Padova n° 311219

info@prosystemitalia.com
prosystemitalia.com

Permissible load floor mounting:

Single mounting/Double mounting: 4 kN

Single mounting with mounting plate: 8 kN

Lever arm Lmax for single mounting: 350 mm

Static friction coefficient μ_0 : 0.16

Sliding friction coefficient μ : 0.14

Material: Steel, electro-galvanised.

The permissible bending moment of the connection elements (threaded rod or threaded tube) may restrict the application!

Codice	Nome	Peso	Numero di pezzi
190658	S1-41	0.18	10
106731	S1-41	0.18	10

PROSYSTEM ITALIA SRL

Via Friuli venezia Giulia, 15
30030 Pianiga - Venezia - Italy
T +39.041.510.1622
F +39.041.5131351

P.IVA 03470750278
Reg.Imp. Ve 03470750278
Cap.soc. € 90.000,00
REA Padova n° 311219

info@prosystemitalia.com
prosystemitalia.com