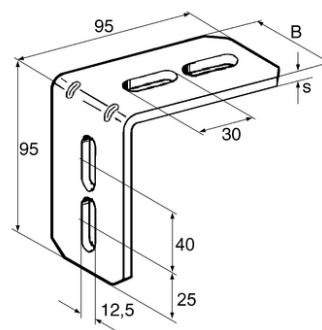
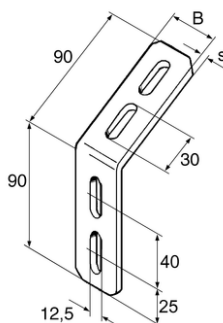
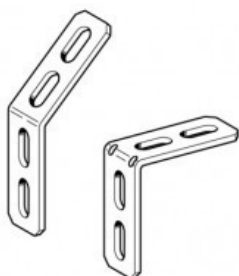


FIXING BRACKET MW INOX



APPLICATION

Useful addition to Support Brackets for integration in crossbars and other structures composed of stainless steel channels.

TECHNICAL DATA

Material: Stainless steel A4, cold-formed.

Type	B [mm]	s [mm]
90/90/45°	40	4
95/95/90°	40	4

Codice	Nome	Peso	Numero di pezzi
105721	90/90/45° A4	0.18	25
106281	95/95/90° A4	0.18	25

PROSYSTEM ITALIA SRL

Via Friuli venezia Giulia, 15
30030 Pianiga - Venezia - Italy
T +39.041.510.1622
F +39.041.5131351

P.IVA 03470750278
Reg.Imp. Ve 03470750278
Cap.soc. € 90.000,00
REA Padova n° 311219

info@prosystemitalia.com
prosystemitalia.com