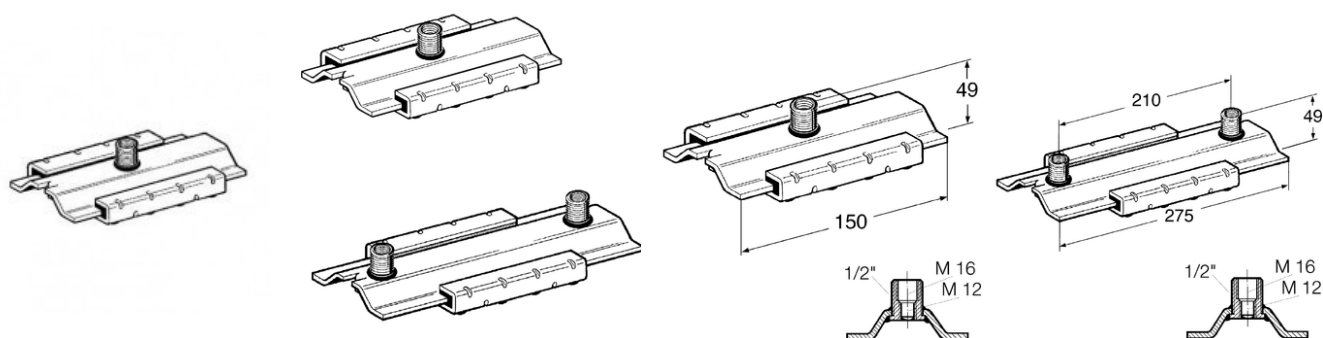


SLIDE SET GS H3G SS



APPLICATION

Heavy-duty Slide Set for plant construction.

To be used preferably in combination with pipe clamps Stabil D-3G ss. Various connection options of the pipe clamps depending on the respective load: M12, M16 or with 1/2" adapters using the external thread

(see Adapter f/f ss).

Especially suitable for ceiling and floor mounting solutions and as a guide for rising pipes. For wall mounting, we recommend the use of the Slide Set on Support Brackets. When mounting the Slide Set directly to a wall, the reduced permissible loads of the anchors are to be taken into consideration.

Sound absorption by means of slide rails with glass fibre reinforced polyamide.

INSTALLATION

For pipes of NB 100 or larger having to be spaced at a distance from the Slide Set, or under conditions of reversed bending stress, the 3G triple thread nuts are to be secured by screwing on a 1/2" stainless steel Locking Nut.

PROSYSTEM ITALIA SRL

Via Friuli venezia Giulia, 15
30030 Pianiga - Venezia - Italy
T +39.041.510.1622
F +39.041.5131351

P.IVA 03470750278
Reg.Imp. Ve 03470750278
Cap.soc. € 90.000,00
REA Padova n° 311219

info@prosystemitalia.com
prosystemitalia.com

TECHNICAL DATA

Permissible loads for ceiling mounting: 5.0 kN

Permissible load for floor mounting: 9.0 kN

Lever arm Lmax: 400 mm

Max. sliding distance H3G: 100 mm

Permissible bending moment for wall mounting* for H3G2: 350 Nm

Temperature range: 130°C (permanent exposure)

Static friction coefficient μ_0 : 0.18

Sliding friction coefficient μ : 0.14

Material:

- Metal components and slide rails: Stainless steel A4.

* Permissible bending moment of the connecting element (threaded rod or threaded tube) may restrict the application!

| Codice | Nome | Peso | Numero di pezzi |
|--------|---------|------|-----------------|
| 170143 | H3G A4 | 1.1 | 10 |
| 170125 | H3G2 A4 | 1.43 | 10 |

PROSYSTEM ITALIA SRL

Via Friuli venezia Giulia, 15
30030 Pianiga - Venezia - Italy
T +39.041.510.1622
F +39.041.5131351

P.IVA 03470750278
Reg.Imp. Ve 03470750278
Cap.soc. € 90.000,00
REA Padova n° 311219

info@prosystemitalia.com
prosystemitalia.com