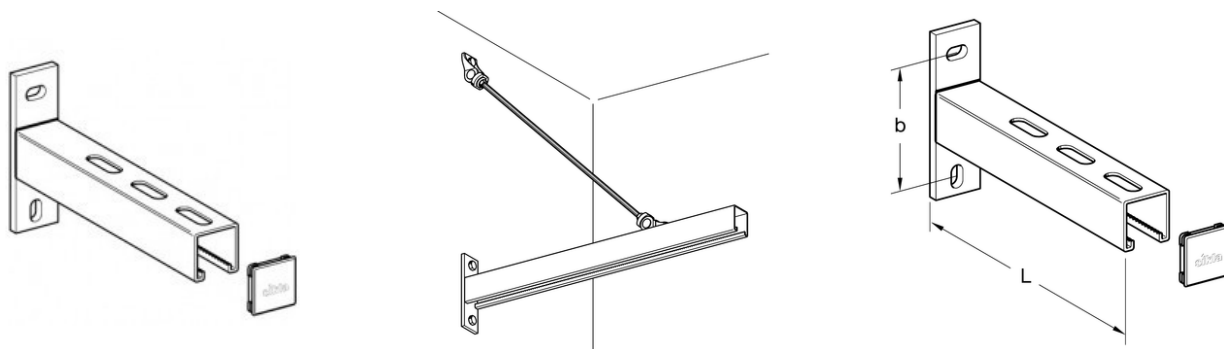


CANTILEVER BRACKET AK SS



APPLICATION

Ready-to-use brackets mainly for mounting pipes to walls.

SCOPE OF DELIVERY

Wall plate and channel welded. Supplied with End Cap.

INSTALLATION

When used in combination with slide elements, a tie rod is absolutely essential for absorbing the forces running along the centre line of the pipe.

TECHNICAL DATA

For load capacities, please see the charts of cantilever bracket 41/41 (galvanised).

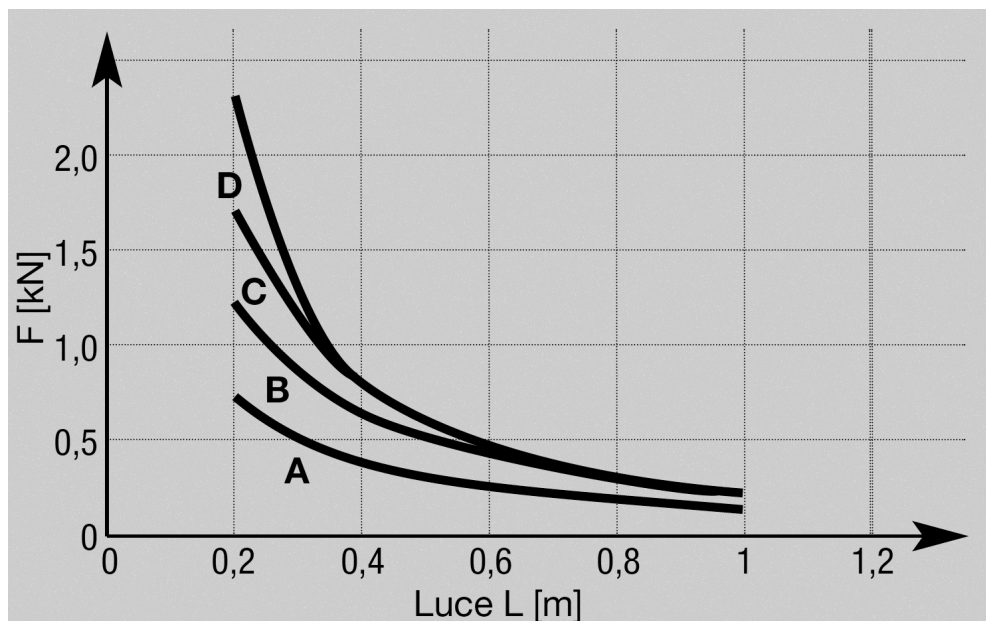
Working class: $A = 1.5 \text{ kNB} = 2.5 \text{ kNC} = 3.5 \text{ kND} = 6.0 \text{ kN}$
 $\sigma_{\text{max}} \leq 160 \text{ N/mm}^2$
 $f_{\text{max}} \leq L/100$ per $L > 300$
 mm
 $f_{\text{max}} \leq 3 \text{ mm}$ per $L = 200 \dots 300 \text{ mm}$

PROSYSTEM ITALIA SRL

Via Friuli venezia Giulia, 15
30030 Pianiga - Venezia - Italy
T +39.041.510.1622
F +39.041.5131351

P.IVA 03470750278
Reg.Imp. Ve 03470750278
Cap.soc. € 90.000,00
REA Padova n° 311219

info@prosystemitalia.com
prosystemitalia.com



Material: Stainless steel A4 (AISI 316)

Codice	Nome	Peso	Numero di pezzi
115520	41/41 A4 - L=200	0.7	1
115539	41/41 A4 - L=260	0.79	1
115548	41/41 A4 - L=320	0.92	1
115557	41/41 A4 - L=445	1.19	1
115561	41/41 A4 - L=550	1.33	1
115567	41/41 A4 - L=650	1.33	1
115548L	MENSOLA A SBALZO 41/41 L=350 MM INOX A4	0.92	1
115557L	MENSOLA A SBALZO 41/41 L=450 MM INOX A4	0.92	1
115567L	MENSOLA A SBALZO 41/41 L=650 MM INOX A4	0.92	1

PROSYSTEM ITALIA SRL

Via Friuli venezia Giulia, 15
30030 Pianiga - Venezia - Italy
T +39.041.510.1622
F +39.041.5131351

P.IVA 03470750278
Reg.Imp. Ve 03470750278
Cap.soc. € 90.000,00
REA Padova n° 311219

info@prosystemitalia.com
prosystemitalia.com