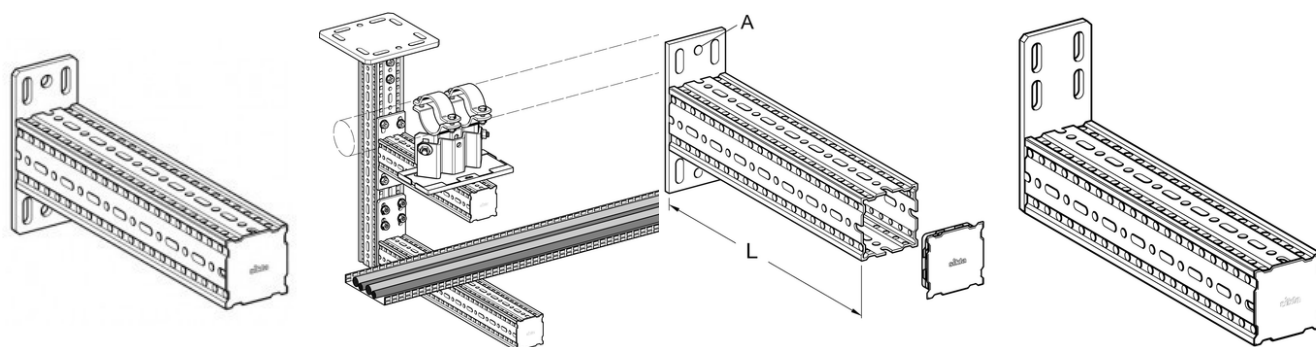


# CANTILEVER BRACKET AK F 80



## APPLICATION

Galvanised hollow-box-section with welded end-plate to serve as cantilever arm. May be used as a crossbar when combined with End Support STA and 4 x Self Forming Screw FLS. Durch die Rundlöcher in der Grundplatte ist eine direkte Anbindung an eingelassenen Ankerschienen möglich.

## SCOPE OF DELIVERY

With pre-assembled End Cap ADK F 80

## INSTALLATION

With 4 x Self Forming Screw FLS when fixed to another siFramo hollow-box-section. Alternatively with two suitable wall anchors through holes "A" when fixed directly to building structure.

## TECHNICAL DATA

### PROSYSTEM ITALIA SRL

Via Friuli venezia Giulia, 15  
30030 Pianiga - Venezia - Italy  
T +39.041.510.1622  
F +39.041.5131351

P.IVA 03470750278  
Reg.Imp. Ve 03470750278  
Cap.soc. € 90.000,00  
REA Padova n° 311219

[info@prosystemitalia.com](mailto:info@prosystemitalia.com)  
[prosystemitalia.com](http://prosystemitalia.com)

Type	L[mm]	Dimensions of base plate[mm]	Langlöcher Grundplatte[mm]	A[mm]
AK F 80-400	400	190 x 80 x 8	20 x 11	14
AK F 80-800	800	190 x 80 x 8	20 x 11	14
AK F 80-E-600	600	165 x 80 x 8	20 x 11	-

Configuration: Plate welded to Beam Section TP F 80

Material:

- Plate: Steel, HCP;
- Beam section: Steel, HCP.

## APPROVALS

CE mark, according to EN 1090.



Codice	Nome	Peso	Numero di pezzi
192764	AK F 80 L=400mm	3.4	1
192771	AK F 80 L=800mm	5.8	1
110370	AK F 80-E L=600mm	4.54	-

### PROSYSTEM ITALIA SRL

Via Friuli venezia Giulia, 15  
30030 Pianiga - Venezia - Italy  
T +39.041.510.1622  
F +39.041.5131351

P.IVA 03470750278  
Reg.Imp. Ve 03470750278  
Cap.soc. € 90.000,00  
REA Padova n° 311219

[info@prosystemitalia.com](mailto:info@prosystemitalia.com)  
[prosystemitalia.com](http://prosystemitalia.com)