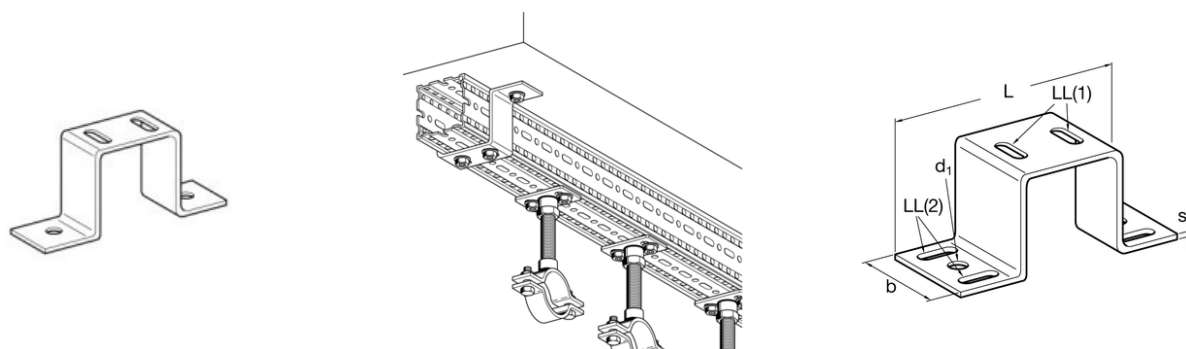


# BEAM SECTION HOLDER TPH F 80



## APPLICATION

Interface element to connect 90° intersecting Beam Sections F80 or F 80/30. Alternatively the Beam Section Holder TPH may be used to connect only one beam section to an even surface with suitable wall anchors or with cast-in channel accessories.

## INSTALLATION

Connecting one Beam Section F80 or F 80/30 90° to another one by using 6 x Self Forming Screw FLS applied through all elongated holes. Connecting to any other surface or member by using 2 x Self Forming Screws FLS through the two elongated holes on the top of the Beam Section Holder TPH F80 plus 2 appropriate fixing elements up to M12 through the two holes "d1".

## TECHNICAL DATA

Type	L x w x th[mm]	∅ d1[mm]	Elongated hole LL1d x a [mm]	Elongated hole LL2d x a [mm]	Perm. load under 90° to the beam axis Fy = Fz [kN]
TPH F 80	181 x 50 x 4	13	11 x 20	-	7
TPH F 80 C	199 x 80 x 4	14	11 x 20	11 x 20	10

### PROSYSTEM ITALIA SRL

Via Friuli venezia Giulia, 15  
30030 Pianiga - Venezia - Italy  
T +39.041.510.1622  
F +39.041.5131351

P.IVA 03470750278  
Reg.Imp. Ve 03470750278  
Cap.soc. € 90.000,00  
REA Padova n° 311219

[info@prosystemitalia.com](mailto:info@prosystemitalia.com)  
[prosystemitalia.com](http://prosystemitalia.com)

Material: Steel, HCP or hot dipped galvanised.

Codice	Nome	Peso	Numero di pezzi
195765	TPH F 80	0.5	10
116673	TPH F 80 C	0.5	10
111732	TPH F 80 C	0.78	10

**PROSYSTEM ITALIA SRL**

Via Friuli venezia Giulia, 15  
30030 Pianiga - Venezia - Italy  
T +39.041.510.1622  
F +39.041.5131351

P.IVA 03470750278  
Reg.Imp. Ve 03470750278  
Cap.soc. € 90.000,00  
REA Padova n° 311219

[info@prosystemitalia.com](mailto:info@prosystemitalia.com)  
[prosystemitalia.com](http://prosystemitalia.com)