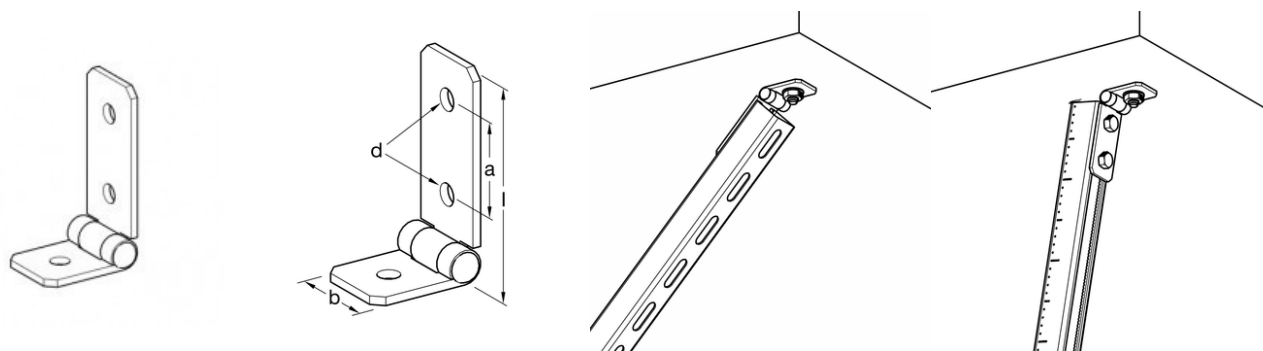


ANGOLARE VARIABILE JOI S



APPLICATION

To connect Channels 41 to the building structure if an arbitrary, continuous angle adjustment up to 180° is necessary. The Joint JOI S is especially used for the connection to the structure. The two fixing points to channel ensure a rotation lock, so lateral forces can be compensated.

INSTALLATION

Version 1:

1. Fix the Joint JOI S by means of anchor/plug or bolt to the building structure or to the channel.
2. Fix to channel by means of Channel Nuts M10.

Version 2:

1. Insert the Channel Nut into the channel and fix it with the bolts.
2. Connection to building structure or channels with appropriate anchors or bolts.

TECHNICAL DATA

PROSYSTEM ITALIA SRL

Via Friuli venezia Giulia, 15
30030 Pianiga - Venezia - Italy
T +39.041.510.1622
F +39.041.5131351

P.IVA 03470750278
Reg.Imp. Ve 03470750278
Cap.soc. € 90.000,00
REA Padova n° 311219

info@prosystemitalia.com
prosystemitalia.com

Nominal load:	2.0 kN
Tightening torque:	50 Nm
Material:	Steel, galvanised

Codice	Nome	Peso	Numero di pezzi
116577	JOI S	0.33	50

PROSYSTEM ITALIA SRL

Via Friuli venezia Giulia, 15
30030 Pianiga - Venezia - Italy
T +39.041.510.1622
F +39.041.5131351

P.IVA 03470750278
Reg.Imp. Ve 03470750278
Cap.soc. € 90.000,00
REA Padova n° 311219

info@prosystemitalia.com
prosystemitalia.com