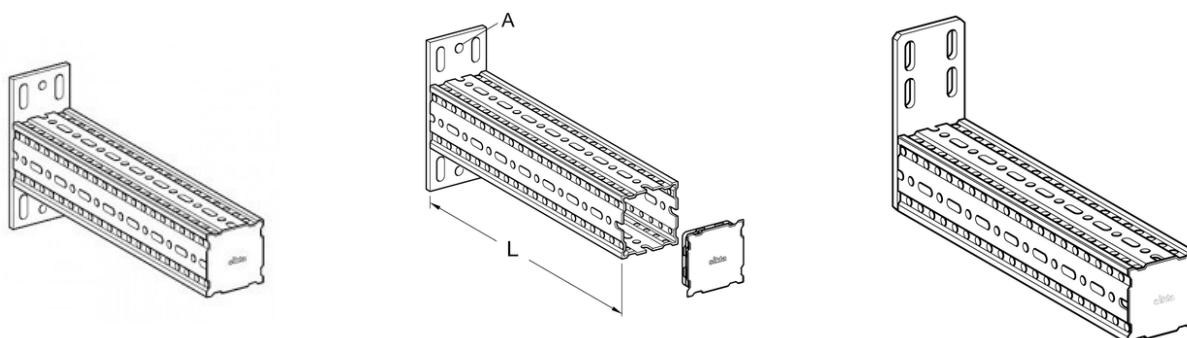


CANTILEVER BRACKET AK F 100



APPLICATION

Galvanised hollow-box-section with welded end-plate to serve as cantilever arm. May be used as a crossbar when combined with End Support STA and 4 x Self Forming Screw FLS. Durch die Rundlöcher in der Grundplatte ist eine direkte Anbindung an eingelassenen Ankerschienen möglich.

INSTALLATION

With 4 x Self Forming Screw FLS when fixed to another siFramo hollow-box-section. Alternatively with two suitable wall anchors through holes "A" when fixed directly to building structure.

TECHNICAL DATA

Type	L[mm]	Dimensions of base plate[mm]	Langlöcher Grundplatte[mm]	A[mm]
AK F 100-400	400	210 x 100 x 8	20 x 11	14
AK F 100-800	800	210 x 100 x 8	20 x 11	14
AK F 100-1200	1200	210 x 100 x 8	20 x 11	14
AK F 100-E-600	600	185 x 100 x 8	20 x 11	-

PROSYSTEM ITALIA SRL

Via Friuli venezia Giulia, 15
30030 Pianiga - Venezia - Italy
T +39.041.510.1622
F +39.041.5131351

P.IVA 03470750278
Reg.Imp. Ve 03470750278
Cap.soc. € 90.000,00
REA Padova n° 311219

info@prosystemitalia.com
prosystemitalia.com

Configuration: Plate welded to Beam Section TP F 100.

Material:

- Plate: Steel, HCP;
- Beam section: Steel, HCP.

Codice	Nome	Peso	Numero di pezzi
113068	AK F 100 L= 400mm	5.66	1
113069	AK F 100 L= 800mm	10.06	1
113419	AK F 100 L=1200mm	14.68	1
113070	AK F 100-E L= 600mm	7.84	1

PROSYSTEM ITALIA SRL

Via Friuli venezia Giulia, 15
30030 Pianiga - Venezia - Italy
T +39.041.510.1622
F +39.041.5131351

P.IVA 03470750278
Reg.Imp. Ve 03470750278
Cap.soc. € 90.000,00
REA Padova n° 311219

info@prosystemitalia.com
prosystemitalia.com