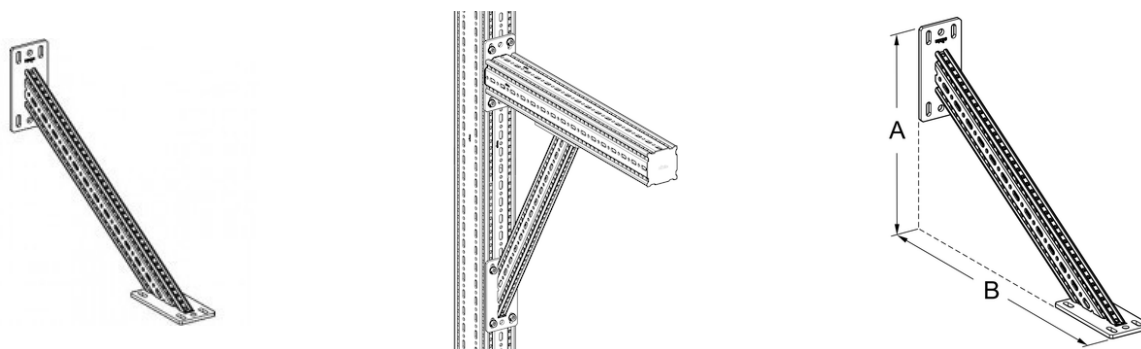


BRACING ARM SKO F100



APPLICATION

Bracing arm for reinforcement of frames made from Beam Section TP F100 and/or Cantilever Bracket AK F100.

INSTALLATION

- With 2x4 Self Forming Screw FLS when used inside a corner of two F100 size hollow-box sections.
- With 4x Self Forming Screw FLS and 2x suitable wall anchors/fixings when used to connect between one

F 100 size hollow-box section and the building structure.

TECHNICAL DATA

Type	Assembly dimensionA	Assembly dimensionB
SKO F 100	450	710

Material: Steel, HCP.

PROSYSTEM ITALIA SRL

Via Friuli venezia Giulia, 15
30030 Pianiga - Venezia - Italy
T +39.041.510.1622
F +39.041.5131351

P.IVA 03470750278
Reg.Imp. Ve 03470750278
Cap.soc. € 90.000,00
REA Padova n° 311219

info@prosystemitalia.com
prosystemitalia.com

APPROVAL

CE mark, according to EN 1090.



Codice	Nome	Peso	Numero di pezzi
113096	SKO F 100	5.54	1

PROSYSTEM ITALIA SRL

Via Friuli venezia Giulia, 15
30030 Pianiga - Venezia - Italy
T +39.041.510.1622
F +39.041.5131351

P.IVA 03470750278
Reg.Imp. Ve 03470750278
Cap.soc. € 90.000,00
REA Padova n° 311219

info@prosystemitalia.com
prosystemitalia.com