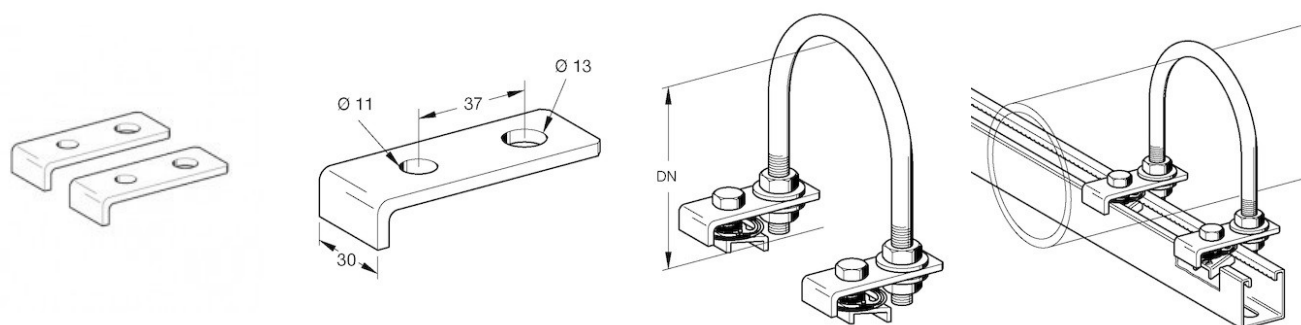


U BOLT SUPPORT UBF HCP



APPLICATION

For simple combination of U Bolt and Channel. Suitable for all Sikla Channels MS 41.

INSTALLATION

Simple attachment with Channel Nuts M10 and Hexagon Bolts M10x25. For each U bolt each one set has to be used.

TECHNICAL DATA

Material: Steel, HCP

Codice	Nome	Peso	Numero di pezzi
194188	UBF	0.15	25

PROSYSTEM ITALIA SRL

Via Friuli venezia Giulia, 15
30030 Pianiga - Venezia - Italy
T +39.041.510.1622
F +39.041.5131351

P.IVA 03470750278
Reg.Imp. Ve 03470750278
Cap.soc. € 90.000,00
REA Padova n° 311219

info@prosystemitalia.com
prosystemitalia.com