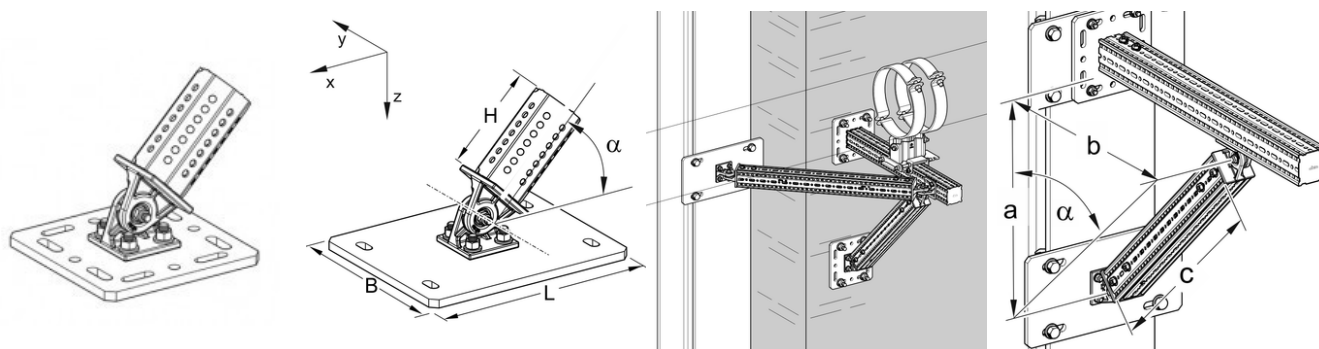


JOINT GE ST F 80



APPLICATION

Applicable as a bracing element for single-arm cantilevers supported from primary steelwork or concrete surfaces, also for the knee-brace reinforcing of all siFramo 80 frame constructions. The pivot can be installed with angles from 25° to 155°.

SCOPE OF DELIVERY

Pivot Joint GE F - ST F 80 with pre-attached base plate

INSTALLATION

Attachment of the Joints to steel structure by means of Assembly Set MS 5P M12 S while connecting the base plate. From Type 161/200 on an Assembly Set MS 5P M16 S is used. Another option is to fix the Joint to concrete walls by means of 4 heavy-duty anchors. The support profile TP F 80 plugged onto the octagon is attached by means of 4 Self Forming Screws. The cutting length of the support profile can be determined by the table below-mentioned. After installation at the desired angle the screws have to be tightened with 40 Nm.

By loosening the screw connection between Joint and Joining Plate it is possible to rotate the Joint by 90° and to use it for a cross member then (see figure 4).

TECHNICAL DATA

PROSYSTEM ITALIA SRL

Via Friuli venezia Giulia, 15
30030 Pianiga - Venezia - Italy
T +39.041.510.1622
F +39.041.5131351

P.IVA 03470750278
Reg.Imp. Ve 03470750278
Cap.soc. € 90.000,00
REA Padova n° 311219

info@prosystemitalia.com
prosystemitalia.com

Type	Height H [mm]	Length L [mm]	Width B [mm]	Angle α
GE F 80/120 - 80	140	220	220	25° - 155°
GE F 121/160 - 80 - 1	140	320	260	25° - 155°
GE F 161/200 - 80 - 1	140	320	310	25° - 155°
GE F 201/300 - 80 - 1	140	220	420	25° - 155°

Cutting length c of support profile between two joints:

	b [mm] 1000	b [mm] 1500	b [mm] 2000	b [mm] 2500	b [mm] 3000
α	c [mm]	c [mm]	c [mm]	c [mm]	c [mm]
25°	2130	3313	4496	5679	6862
30°	1784	2784	3784	4784	5784
35°	1542	2413	3285	4157	5028
40°	1364	2142	2920	3698	4476
45°	1230	1938	2645	3352	4059
50°	1128	1780	2433	3086	3738
55°	1048	1658	2268	2879	3489
60°	985	1563	2140	2717	3295
65°	937	1488	2040	2592	3143

a = vertical length from centerline of joint to bottom of profile at connection
b = horizontal length of cantilever from connection to centerline of joint
c = cutting length of support profile between two joints
 α = angle at the opposite of the vertical bracing

Material: Steel, HCP

Codice	Nome	Peso	Numero di pezzi
115856		6.2	1

PROSYSTEM ITALIA SRL

Via Friuli venezia Giulia, 15
30030 Pianiga - Venezia - Italy
T +39.041.510.1622
F +39.041.5131351

P.IVA 03470750278
Reg.Imp. Ve 03470750278
Cap.soc. € 90.000,00
REA Padova n° 311219

info@prosystemitalia.com
prosystemitalia.com

Codice	Nome	Peso	Numero di pezzi
115857		9.8	1
115859		11.3	1
115861		10.4	1

PROSYSTEM ITALIA SRL

Via Friuli venezia Giulia, 15
30030 Pianiga - Venezia - Italy
T +39.041.510.1622
F +39.041.5131351

P.IVA 03470750278
Reg.Imp. Ve 03470750278
Cap.soc. € 90.000,00
REA Padova n° 311219

info@prosystemitalia.com
prosystemitalia.com