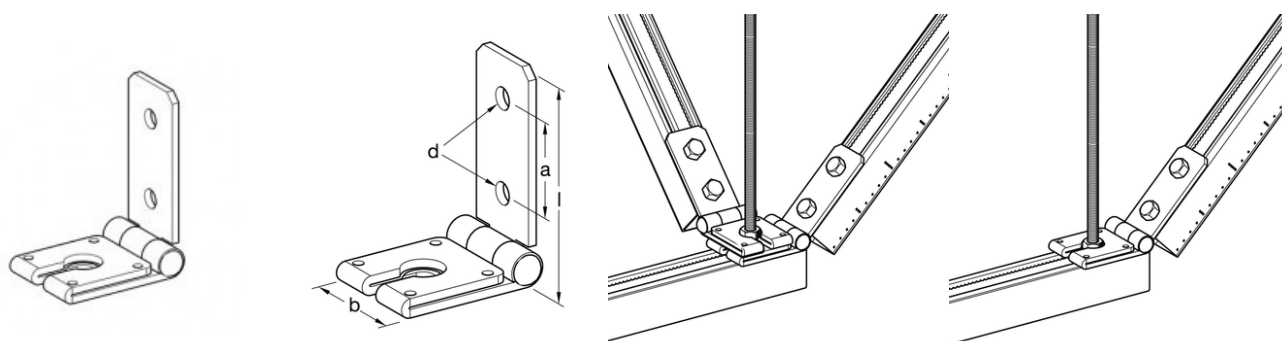


JOINT JOI R



APPLICATION

The Joint JOI R is used for bracings of mounting systems, which are of central importance especially in case of seismic stress. Due to its keyhole shaped design the Joint can be installed subsequently. For the installation directly to a Channel 41 the four pins and two fixing points guarantee a reliable rotation lock. For two bracings the Joint JOI R can also be piled. The rotation lock for the installation to an existing structure depends on the already used components. In case of the application of a Block PB 41 a rotation lock is given.

TECHNICAL DATA

Tipo	suitable for	a [mm]	b [mm]	d [mm]	l [mm]
20	Dado esagonale M10 (e 3/8"-UNC)	62,5	50	10,5	126
23	Dado flangiato M10, dado esagonale M12 (e 1/2"-UNC)	62,5	50	10,5	126

Nominal load: 2.0 kN Tightening torque: 50 Nm Material: Steel, galvanised

The permissible maximum torsional moment of the channel (44.5 Nm) has to be respected.

Codice	Nome	Peso	Numero di pezzi
--------	------	------	-----------------

PROSYSTEM ITALIA SRL

Via Friuli venezia Giulia, 15
30030 Pianiga - Venezia - Italy
T +39.041.510.1622
F +39.041.5131351

P.IVA 03470750278
Reg.Imp. Ve 03470750278
Cap.soc. € 90.000,00
REA Padova n° 311219

info@prosystemitalia.com
prosystemitalia.com

Codice	Nome	Peso	Numero di pezzi
116576		0.33	50
116809		0.33	50

PROSYSTEM ITALIA SRL

Via Friuli venezia Giulia, 15
30030 Pianiga - Venezia - Italy
T +39.041.510.1622
F +39.041.5131351

P.IVA 03470750278
Reg.Imp. Ve 03470750278
Cap.soc. € 90.000,00
REA Padova n° 311219

info@prosystemitalia.com
prosystemitalia.com