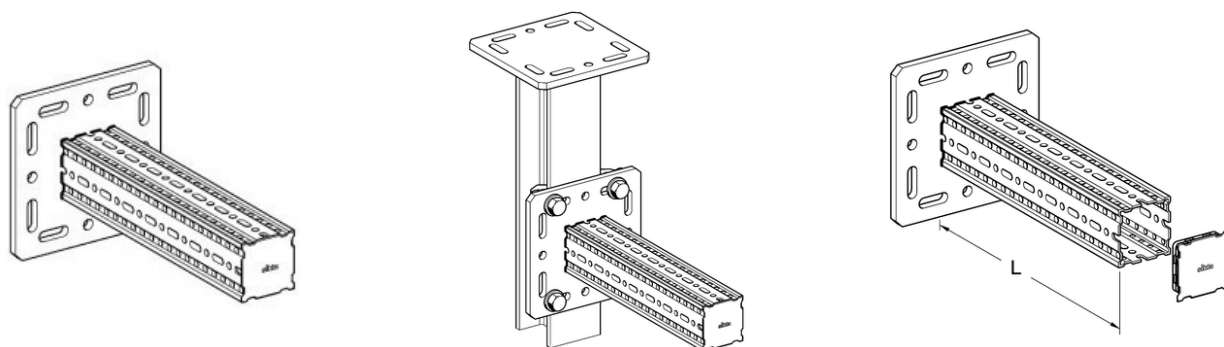


BEAM BRACKET TKO F 100



APPLICATION

Galvanised hollow-box-section with welded end-plate to serve as cantilever arm. May be used as a crossbar when combined with End Support STA/End Support WBD and 4 x Self Forming Screw FLS.

SCOPE OF DELIVERY

With pre-assembled End Cap ADK F100

INSTALLATION

Depending on the situation, different options are recommended:

- a) Directly to building structure: 4x suitable wall anchors;
- b) To traditional steel beams between 80 - 120 mm flange dimensions: with Assembly Set 5P M12 S.;
- c) To traditional steel beams > 120 mm flange dimension: with on-demand Adaptor Plate (tbc);
- d) To Steel Beams 100/120: with Bracket Plates FV 100/120 when positive mechanical connection required.

PROSYSTEM ITALIA SRL

Via Friuli venezia Giulia, 15
30030 Pianiga - Venezia - Italy
T +39.041.510.1622
F +39.041.5131351

P.IVA 03470750278
Reg.Imp. Ve 03470750278
Cap.soc. € 90.000,00
REA Padova n° 311219

info@prosystemitalia.com
prosystemitalia.com

TECHNICAL DATA

Type	L[mm]	Dimensions of base plate[mm]	Slots in base plate for
TKO F 100-400	400	220 x 220 x 12	M12
TKO F 100-800	800	220 x 220 x 12	M12
TKO F 100-1200	1200	220 x 220 x 12	M12

Configuration: Base plate welded to Beam Section TP F 100

Material:

- Plate: Steel, HCP;
- Beam section: Steel, HCP.

APPROVALS

CE mark, according to EN 1090.



Codice	Nome	Peso	Numero di pezzi
113071	TKO F 100 L= 400mm	8.62	1
113072	TKO F 100 L= 800mm	12.78	1
113421	TKO F 100 L=1200mm	17.5	1

PROSYSTEM ITALIA SRL

Via Friuli venezia Giulia, 15
30030 Pianiga - Venezia - Italy
T +39.041.510.1622
F +39.041.5131351

P.IVA 03470750278
Reg.Imp. Ve 03470750278
Cap.soc. € 90.000,00
REA Padova n° 311219

info@prosystemitalia.com
prosystemitalia.com