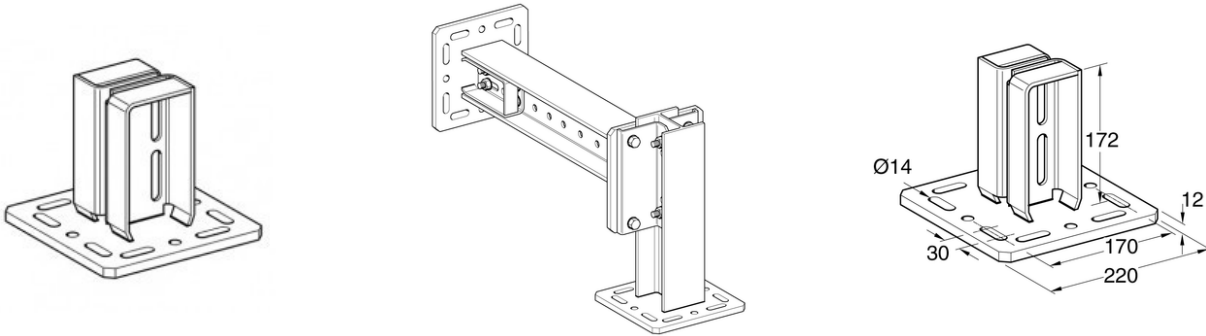


END SUPPORT STA 100



APPLICATION

In connection with Beam Bracket TKO 100, the End Support STA 100 enables the construction of crossbars, as well as further conjunctions between building structure and steel construction. By means of the slotted holes a simple compensation of structural deviations is possible up to 50 mm.

SCOPE OF DELIVERY

Base plate welded to beam holder.

Accessories:

- 4 Hexagon Bolts M12 x 35;
- 4 Hexagon Nuts M12;
- 8 Washers.

TECHNICAL DATA

Material:

- STA 100: Steel, hot-dipped galvanised;

PROSYSTEM ITALIA SRL

Via Friuli venezia Giulia, 15
30030 Pianiga - Venezia - Italy
T +39.041.510.1622
F +39.041.5131351

P.IVA 03470750278
Reg.Imp. Ve 03470750278
Cap.soc. € 90.000,00
REA Padova n° 311219

info@prosystemitalia.com
prosystemitalia.com

- Bolts: Steel, class 8.8, hot-dipped galvanised;
- Nuts: Steel, class 8.8, hot-dipped galvanised;
- Washers: Steel, hot-dipped galvanised.

Codice	Nome	Peso	Numero di pezzi
183971	STA 100	6.4	1

PROSYSTEM ITALIA SRL

Via Friuli venezia Giulia, 15
30030 Pianiga - Venezia - Italy
T +39.041.510.1622
F +39.041.5131351

P.IVA 03470750278
Reg.Imp. Ve 03470750278
Cap.soc. € 90.000,00
REA Padova n° 311219

info@prosystemitalia.com
prosystemitalia.com