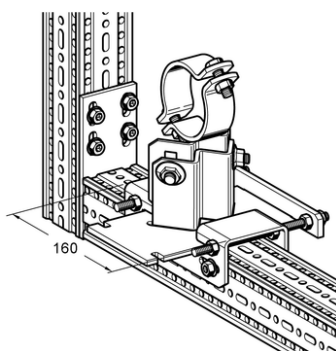
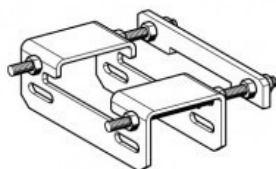


GUIDING SET XS_GUIDE BRACKETS



APPLICATION

Element for modification of Sliding Pipe Shoes to Fixed Point Pipe Shoes.

INSTALLATION

The slide plate of the Pipe Shoe is disassembled. Connection to the Beam Section F 80 or F 100 by means of 4 Self Forming Screws FLS F.

TECHNICAL DATA

Material: Steel, HCP.

Codice	Nome	Peso	Numero di pezzi
110356	XW F 80	1.3	-
113087	XW F 100	1.56	1

PROSYSTEM ITALIA SRL

Via Friuli venezia Giulia, 15
30030 Pianiga - Venezia - Italy
T +39.041.510.1622
F +39.041.5131351

P.IVA 03470750278
Reg.Imp. Ve 03470750278
Cap.soc. € 90.000,00
REA Padova n° 311219

info@prosystemitalia.com
prosystemitalia.com