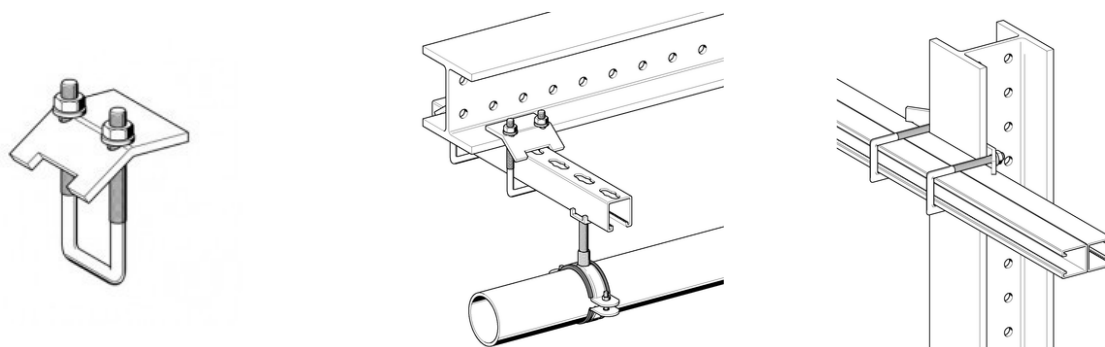


U-HOLDER 41



APPLICATION

Clamping element for bi-lateral attachment of crossbars to steel beams, independent from the channel's opening.

INSTALLATION

To be used in pairs.

Length calculation = Beam/Girder flange thickness + min. 2 x 50 mm overhang

TECHNICAL DATA

Type	Max. perm. load tension	Tightening torque
M8	3.5 kN per Beam Clamp	20 Nm
M10	5.0 kN per Beam Clamp	30 Nm

Material: Steel, electro-galvanised.

PROSYSTEM ITALIA SRL

Via Friuli venezia Giulia, 15
30030 Pianiga - Venezia - Italy
T +39.041.510.1622
F +39.041.5131351

P.IVA 03470750278
Reg.Imp. Ve 03470750278
Cap.soc. € 90.000,00
REA Padova n° 311219

info@prosystemitalia.com
prosystemitalia.com

Type	For channel height[mm]	Max. flange thickness[mm]	Ø thread[mm]
41 - M 8	20 - 62	16	M 8
41 - M 10	20 - 62	16	M 10
41 D - M 10	80 - 124	16	M 10

Codice	Nome	Peso	Numero di pezzi
192566	41 - M 8 h= 20-62 mm	0.31	20
183620	41 - M10 h= 20-62 mm	0.41	20
183620A2	41 - M10 h= 20-62 mm	0.41	50
191656	41D - M10 h= 80-124 mm	0.48	20
191657	41D - M10 h= 80-124 mm	0.48	20

PROSYSTEM ITALIA SRL

Via Friuli venezia Giulia, 15
30030 Pianiga - Venezia - Italy
T +39.041.510.1622
F +39.041.5131351

P.IVA 03470750278
Reg.Imp. Ve 03470750278
Cap.soc. € 90.000,00
REA Padova n° 311219

info@prosystemitalia.com
prosystemitalia.com