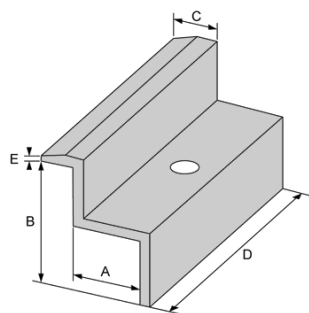
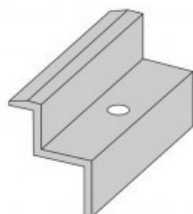


TERMINAL ATTACK ATT



APPLICATION

Hook fastening terminal for PV modules to be attached to aluminum. Available in aluminum or stainless steel. The height of the modules must be between 34 and 50 mm (range covered by different measures, see table).

SCOPE OF DELIVERY

Attack with nut with a hammer and screw spring TCE, fully assembled.

INSTALLATION

Place the hook in the position of the module installed, then attach the hook by pulling the bolt with a maximum torque of 15 Nm. Tighten the tensioner bolt to use a screwdriver with insert for screw 6 mm Allen.

TECHNICAL DATA

Automatic locking against any slipping of the module up to 1.5 kN for the hook.

PROSYSTEM ITALIA SRL

Via Friuli venezia Giulia, 15
30030 Pianiga - Venezia - Italy
T +39.041.510.1622
F +39.041.5131351

P.IVA 03470750278
Reg.Imp. Ve 03470750278
Cap.soc. € 90.000,00
REA Padova n° 311219

info@prosystemitalia.com
prosystemitalia.com

Material:

- Attack: 6060 aluminum alloy or stainless steel A2;
- Screw and nut hammer: AISI 304 stainless steel (galvanized steel fasteners on request);
- Spring: stainless steel.

Dimensions:

- Attack: A: 16 mm, B: 42 mm, C: 13 mm, D: 60 mm
- Hammer nut: 13 mm x 35 mm x 7 mm

Codice	Nome	Peso	Numero di pezzi
182789AL	ATT 36-40 mm alluminio	-	-

PROSYSTEM ITALIA SRL

Via Friuli venezia Giulia, 15
30030 Pianiga - Venezia - Italy
T +39.041.510.1622
F +39.041.5131351

P.IVA 03470750278
Reg.Imp. Ve 03470750278
Cap.soc. € 90.000,00
REA Padova n° 311219

info@prosystemitalia.com
prosystemitalia.com