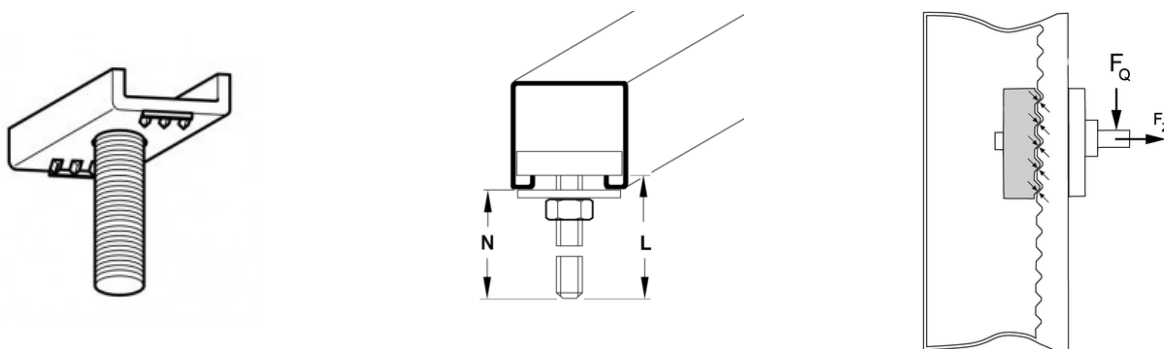


# T-HEAD BOLT TBO HZ 41 SS



## APPLICATION

To be used with Channels MS 41 ss.

## TECHNICAL DATA

Material:

- T-Head: Stainless steel AISI 316;
- Threaded rod: Class A4-50.

Length L: 40 mm

Available length of thread: 35 mm

Type	Tightening torque $M_{dmax}$ [Nm]	perm. bending moment 1) [Nm]
HZ 41 M8	10.0	5.0
HZ 41 M10	18.0	10.0
HZ 41 M12	32.0	17.5

### PROSYSTEM ITALIA SRL

Via Friuli venezia Giulia, 15  
30030 Pianiga - Venezia - Italy  
T +39.041.510.1622  
F +39.041.5131351

P.IVA 03470750278  
Reg.Imp. Ve 03470750278  
Cap.soc. € 90.000,00  
REA Padova n° 311219

[info@prosystemitalia.com](mailto:info@prosystemitalia.com)  
[prosystemitalia.com](http://prosystemitalia.com)

1) The actual bending moment shouldn't exceed the permissible bending moment of the channel acting laterally.

Material thickness channel [mm]	M8FZ ≤ [kN]	M10FZ ≤ [kN]	M12FZ ≤ [kN]	M8FQ ≤ [kN]	M10FQ ≤ [kN]	M12FQ ≤ [kN]	
1.5	4.7	4.7	7.5		1.8	2.9	7.5
2.0	5.8	5.8	10		2.1	3.4	9
2.5	5.8	5.8	11		2.6	4.1	9
3.0	5.8	5.8	13		2.8	4.4	9

Notice: The permissible bearing capacity of the channels is to be respected.

Codice	Nome	Peso	Numero di pezzi
111455	M 8×35 mm A4	0.04	50
111457	M10×35 mm A4	0.05	50

**PROSYSTEM ITALIA SRL**

Via Friuli venezia Giulia, 15  
30030 Pianiga - Venezia - Italy  
T +39.041.510.1622  
F +39.041.5131351

P.IVA 03470750278  
Reg.Imp. Ve 03470750278  
Cap.soc. € 90.000,00  
REA Padova n° 311219

[info@prosystemitalia.com](mailto:info@prosystemitalia.com)  
[prosystemitalia.com](http://prosystemitalia.com)