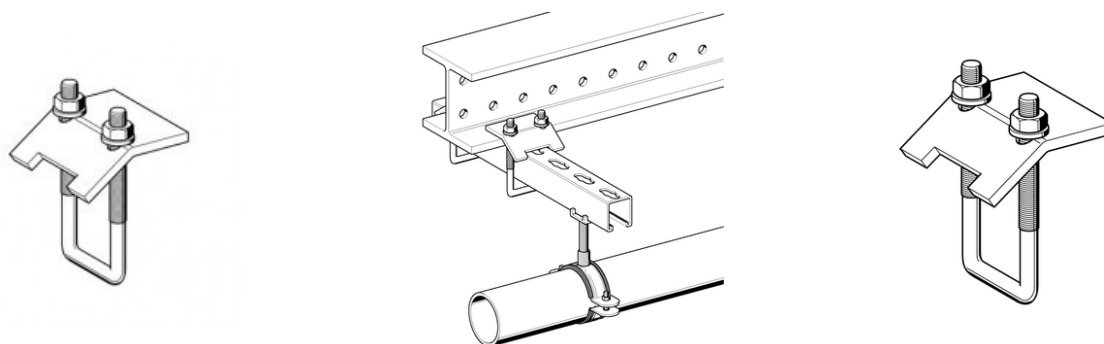


ANCHOR PLATE FOR PROFILES 41 HCP



APPLICATION

Clamping element for bi-lateral attachment of crossbars to steel beams, independent from the channel's opening.

INSTALLATION

To be used in pairs. Length calculation = Beam/Girder flange thickness + min. 2 x 50 mm overhang

TECHNICAL DATA

Type	Max. perm. load tension	Tightening torque
M10	5,0 kN per U-Holder	30 Nm

Material: Steel, HCP

Type	For channelheight [mm]	Max. flangethickness [mm]	Thread
41 - M10	20 - 62	16	M10

PROSYSTEM ITALIA SRL

Via Friuli venezia Giulia, 15
30030 Pianiga - Venezia - Italy
T +39.041.510.1622
F +39.041.5131351

P.IVA 03470750278
Reg.Imp. Ve 03470750278
Cap.soc. € 90.000,00
REA Padova n° 311219

info@prosystemitalia.com
prosystemitalia.com

Codice	Nome	Peso	Numero di pezzi
113879	SB 41	0.41	20
113878		0.41	20
P1386	RAMPONE PROFILI 41 CON VITE M10X30 HCP	0.41	20
P1272	RAMPONE PROFILI 41 CON HCP	0.41	20
P2484ZC	ANGOLARE SAETTATO A 4 FORI HCP	1.34	20

PROSYSTEM ITALIA SRL

Via Friuli venezia Giulia, 15
30030 Pianiga - Venezia - Italy
T +39.041.510.1622
F +39.041.5131351

P.IVA 03470750278
Reg.Imp. Ve 03470750278
Cap.soc. € 90.000,00
REA Padova n° 311219

info@prosystemitalia.com
prosystemitalia.com