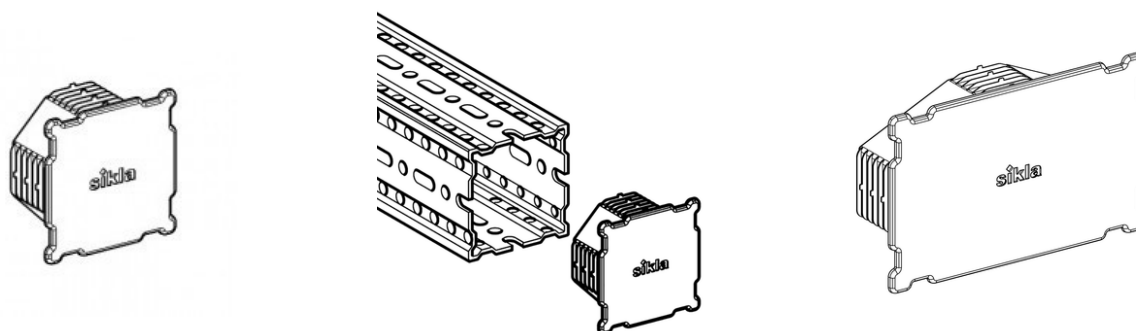


# END CAP ADK F 100



## APPLICATION

Plastic end cap to close cut ends of Beam Section F100 to meet both visual and health & safety requirements. Standard Cantilever- and Beam Brackets (AK F100 and TKO F100) already include this end cap.

## INSTALLATION

Mallet required.

## TECHNICAL DATA

Material: PE, color yellow.

Codice	Nome	Peso	Numero di pezzi
113086	ADK F 100	0.05	25
113102	ADK F 100/160	0.08	25

### PROSYSTEM ITALIA SRL

Via Friuli venezia Giulia, 15  
30030 Pianiga - Venezia - Italy  
T +39.041.510.1622  
F +39.041.5131351

P.IVA 03470750278  
Reg.Imp. Ve 03470750278  
Cap.soc. € 90.000,00  
REA Padova n° 311219

[info@prosystemitalia.com](mailto:info@prosystemitalia.com)  
[prosystemitalia.com](http://prosystemitalia.com)