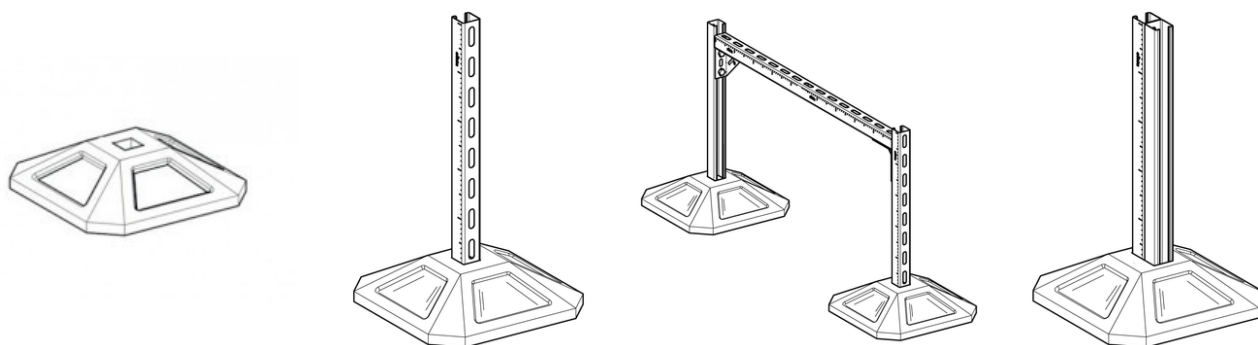


INSULATED FOOT SHB SQF



APPLICATION

Comprehensive solution out of synthetic rubber for flat roofs and central energy supply centers with coated floor. In combination with the Sikla Assembly System any structures can quickly and simply be realised. The water permeable rubber allows a secure and reliable support with constant load distribution. Particularly suitable for the fixation of aggregates, pipings, ventilation ducts and walkways.

Depending on the Insulated Foot either a Channel MS 41/41 or a Channel MS 41/41 D can be plugged in.

INSTALLATION

Insert the Channel MS 41/41 or 41/41 D into the Insulated Foot's slot.

TECHNICAL DATA

Type	max. perm.pressure load FN [kN]	Height [mm]	Insertion depth[mm]
SQF 350	16	100	60
SQF 500	16	130	90

Tests to determine the coefficient of friction shall be carried out by the customer. Depending on the used roofing film the customer has to decide if an additional separation layer (e.g. fleece) is necessary. Furthermore the statics have to be verified by a qualified engineer.

PROSYSTEM ITALIA SRL

Via Friuli venezia Giulia, 15
30030 Pianiga - Venezia - Italy
T +39.041.510.1622
F +39.041.5131351

P.IVA 03470750278
Reg.Imp. Ve 03470750278
Cap.soc. € 90.000,00
REA Padova n° 311219

info@prosystemitalia.com
prosystemitalia.com

Material: Styrene butadiene rubber.

Type	Plate dimensions [mm]
SHB SQF 41-350	350 x 350
SHB SQF 41-500	500 x 500
SHB SQF 41 D-350	350 x 350
SHB SQF 41 D-500	500 x 500

Codice	Nome	Peso	Numero di pezzi
218875		5	1
218881		13.5	1
218876		5	1
218882	41 D-500	12.6	1

PROSYSTEM ITALIA SRL

Via Friuli venezia Giulia, 15
30030 Pianiga - Venezia - Italy
T +39.041.510.1622
F +39.041.5131351

P.IVA 03470750278
Reg.Imp. Ve 03470750278
Cap.soc. € 90.000,00
REA Padova n° 311219

info@prosystemitalia.com
prosystemitalia.com