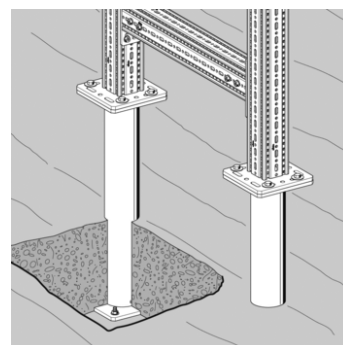
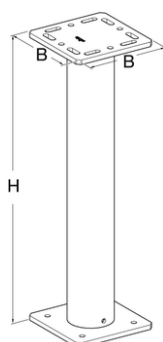
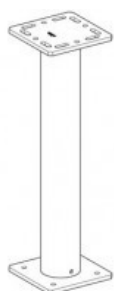


COLUMN FOR ROOF DF AV



APPLICATION

Enables direct connection of constructions with siFramo by means of WBD brackets F 80/100 of size 80/120 or support brackets F 80/100 on various roof types.

MOUNTING

Connection of WBD brackets F 80/100 - 80/120 and TKO F 80/100 by means of 4 hexagonal bolts M12 and suitable washers and nuts. Fastening on roofs and on concrete by means of heavy-duty anchors M12. Important: The zinc drain holes in the support tube must be sealed after installation. If insulation is required in the support tube, it can be provided by the customer, e.g. by foaming.

TECHNICAL DATA

B [mm]	H [mm]
220	750

Dimensions of base plate W x W x d [mm]	Hole for anchor
220 x 220 x 12	M12

Material: steel, HCP

PROSYSTEM ITALIA SRL

Via Friuli venezia Giulia, 15
30030 Pianiga - Venezia - Italy
T +39.041.510.1622
F +39.041.5131351

P.IVA 03470750278
Reg.Imp. Ve 03470750278
Cap.soc. € 90.000,00
REA Padova n° 311219

info@prosystemitalia.com
prosystemitalia.com

Codice	Nome	Peso	Numero di pezzi
117170	DF AV	20.5	1

PROSYSTEM ITALIA SRL

Via Friuli venezia Giulia, 15
30030 Pianiga - Venezia - Italy
T +39.041.510.1622
F +39.041.5131351

P.IVA 03470750278
Reg.Imp. Ve 03470750278
Cap.soc. € 90.000,00
REA Padova n° 311219

info@prosystemitalia.com
prosystemitalia.com