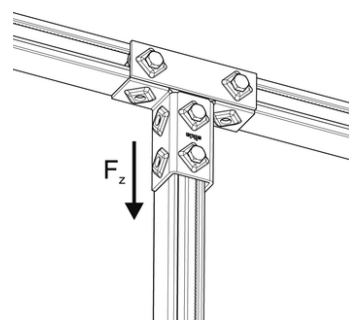
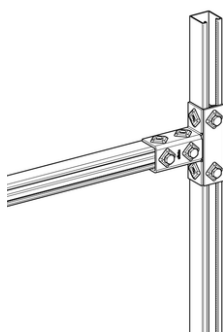
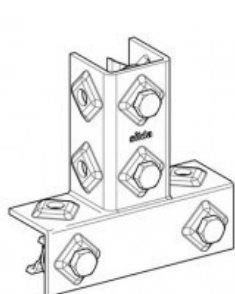


PIASTRA ANGOLARE EV CC 41-3



APPLICATION

Pre-assembled connecting element for three-dimensional frame structures, optimised for linking channels of the 41 series at an angle of 90°. Preferably used in combination with 41/41 square channels. The adjustment for the channel opening could still be chosen.

INSTALLATION

To be used in pairs.

TECHNICAL DATA

Max. per. working load: $F_z = 5 \text{ kN}$

Max. per. working load: $- F_z = 10 \text{ kN}$

Tightening torque: 50 Nm

Material: Steel, electro-galvanised

Codice	Nome	Peso	Numero di pezzi
117460	EV CC41-3	0.88	10

PROSYSTEM ITALIA SRL

Via Friuli venezia Giulia, 15
30030 Pianiga - Venezia - Italy
T +39.041.510.1622
F +39.041.5131351

P.IVA 03470750278
Reg.Imp. Ve 03470750278
Cap.soc. € 90.000,00
REA Padova n° 311219

info@prosystemitalia.com
prosystemitalia.com