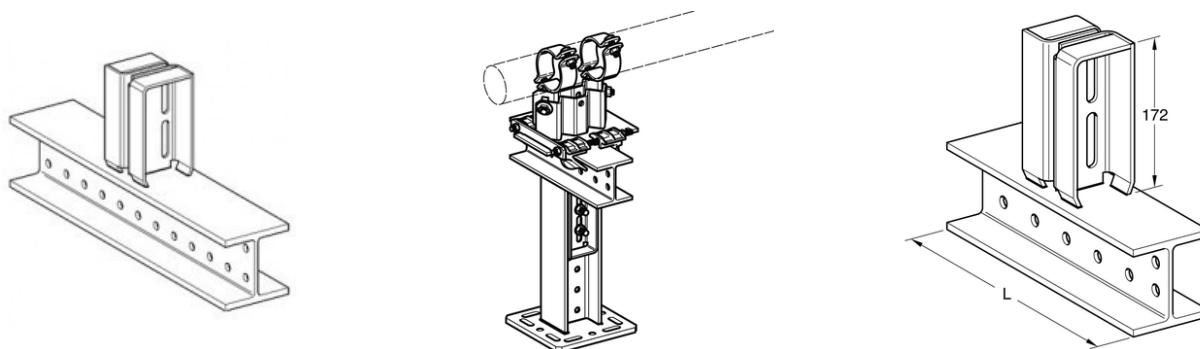


T-ADAPTER TA



APPLICATION

In combination with Beam Bracket TKO 100, the T-Adapter allows different T-structures on the floor or hanging T-structures without need of further accessories. Oblong holes permit a simple compensation up to 50 mm on structural situations.

SCOPE OF DELIVERY

T-Adapter TA 100 Accessories:

- 4 Hexagon Bolts M12 x 45;
- 4 Hexagon Nuts M12 ;
- 8 Washers.

TECHNICAL DATA

Configuration: Beam 100 welded to beam holder.

Material:

PROSYSTEM ITALIA SRL

Via Friuli venezia Giulia, 15
30030 Pianiga - Venezia - Italy
T +39.041.510.1622
F +39.041.5131351

P.IVA 03470750278
Reg.Imp. Ve 03470750278
Cap.soc. € 90.000,00
REA Padova n° 311219

info@prosystemitalia.com
prosystemitalia.com

- TA 100: Steel, hot-dipped galvanised;
- Bolts: Steel, class 8.8, hot-dipped galvanised ;
- Nuts: Steel, class 8, hot-dipped galvanised;
- Washers: Steel, hot-dipped galvanised.

Codice	Nome	Peso	Numero di pezzi
191081	TA 100×400 L=200 mm	5.05	1
191166	TA 100×400 L=400 mm	8.35	1
191099	TA 100×400 L=600 mm	11.8	-
193112	TA 100×400 L=200 mm	8.1	-
193129	TA 100×400 L=400 mm	13.95	-
193136	TA 100×400 L=600 mm	18.95	-

PROSYSTEM ITALIA SRL

Via Friuli venezia Giulia, 15
30030 Pianiga - Venezia - Italy
T +39.041.510.1622
F +39.041.5131351

P.IVA 03470750278
Reg.Imp. Ve 03470750278
Cap.soc. € 90.000,00
REA Padova n° 311219

info@prosystemitalia.com
prosystemitalia.com