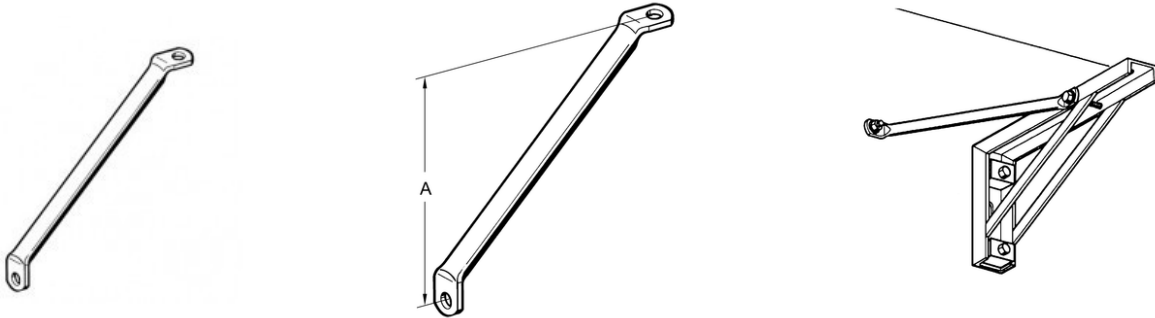


TIE ROD STR



APPLICATION

Tie Rods cater for the lateral forces applied to Support Brackets. Such lateral forces always occur when pipes are laid, in particular when sliding elements are fixed onto Support Brackets, and must be safely absorbed by means of Tie Rods fixed to the brackets.

Otherwise the Support Brackets run the acute risk of being pulled out of their anchoring components by the forces exerted.

INSTALLATION

Fix the Tie Rod to the bore especially made for such purpose at the overhanging leg of the Support Bracket using the recommended hexagon bolt (see table).

TECHNICAL DATA

Material: Cold-worked tube DIN 2448, HCP.

PROSYSTEM ITALIA SRL

Via Friuli venezia Giulia, 15
30030 Pianiga - Venezia - Italy
T +39.041.510.1622
F +39.041.5131351

P.IVA 03470750278
Reg.Imp. Ve 03470750278
Cap.soc. € 90.000,00
REA Padova n° 311219

info@prosystemitalia.com
prosystemitalia.com

Type	Recommended bolt for attachment to Support Bracket	Permissible load (tension and pressure)	Bore [mm]	Pipe
300/200	M10 x 80	7.0 kN	11	R 1/2"
550/350	M10 x 80	7.0 kN	11	R 1/2"
725/400	M10 x 100	12.0 kN	11	R 3/4"
880/550	M10 x 100	12.0 kN	11	R 3/4"

Codice	Nome	Peso	Numero di pezzi
125967	STR 300/200	0.31	10
125994	STR 550/350	0.52	10
151908	STR 725/400	0.9	10
151892	STR 880/550	1.17	10

PROSYSTEM ITALIA SRL

Via Friuli venezia Giulia, 15
30030 Pianiga - Venezia - Italy
T +39.041.510.1622
F +39.041.5131351

P.IVA 03470750278
Reg.Imp. Ve 03470750278
Cap.soc. € 90.000,00
REA Padova n° 311219

info@prosystemitalia.com
prosystemitalia.com