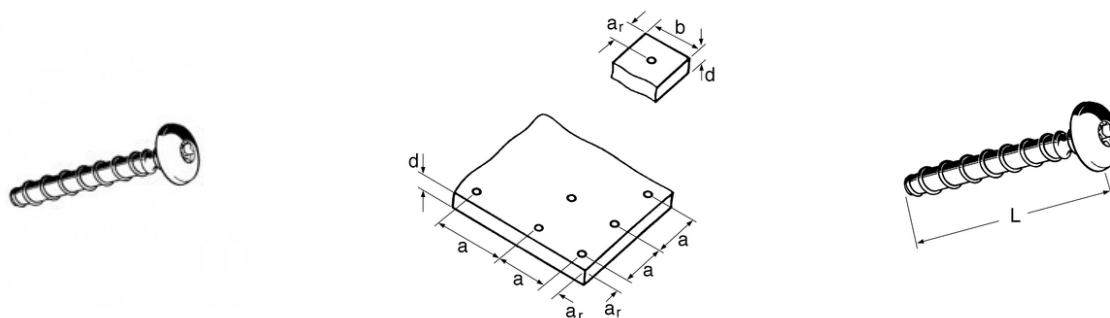


SCREWBOLT TSM - LP



APPLICATION

Suitable for quick and safe fixation of Channels to concrete ceilings or walls. For the installation of Channel 27 the Screwbolt TSM LPS must be fixed through the round hole in the perforation of the Channel. To be applied in closed rooms - except for humidors.

INSTALLATION

For installation an impact wrench or rotary screwgun with a Torx bit T30 is to be used. The screwgun or impact wrench should not be used with any hammer-action setting engaged on the tool.

TECHNICAL DATA

Single fixing: Extract from application conditions of ETA-16/0655 Admissible loads not affected by centre and edge distances. Total safety factor respected according ETAG 001 (YM YF).

Codice	Nome	Peso	Numero di pezzi
115026		0.02	100
115722		0.02	100

PROSYSTEM ITALIA SRL

Via Friuli venezia Giulia, 15
30030 Pianiga - Venezia - Italy
T +39.041.510.1622
F +39.041.5131351

P.IVA 03470750278
Reg.Imp. Ve 03470750278
Cap.soc. € 90.000,00
REA Padova n° 311219

info@prosystemitalia.com
prosystemitalia.com