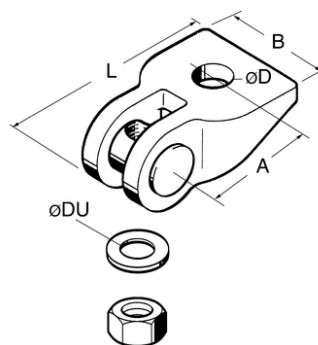
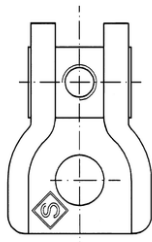
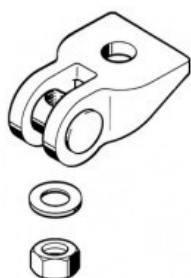


UNIVERSAL JOINT UG SS



APPLICATION

Universal connection for attachment to non-horizontal components, allowing infinitely variable angle adjustment.

May be fixed directly to the building surfaces, Beam Clamps, channels, etc. Typical uses would include easy on-site manufacture of various tie rod assemblies to support brackets, or reinforcement struts for sliding and fixed point applications:

- Infinitely variable angle adjustment
- Length and height adjustment via rotation of the grub screw in the threaded pivot head.
- Pivot head caulked, prevents from falling out.

SCOPE OF DELIVERY

With washer and locking nut.

PROSYSTEM ITALIA SRL

Via Friuli venezia Giulia, 15
30030 Pianiga - Venezia - Italy
T +39.041.510.1622
F +39.041.5131351

P.IVA 03470750278
Reg.Imp. Ve 03470750278
Cap.soc. € 90.000,00
REA Padova n° 311219

info@prosystemitalia.com
prosystemitalia.com

INSTALLATION

Screw the grub screw completely into the pivot head

(visual control).

Fix the adjusted angle by tightening the supplied nut against the washer.

TECHNICAL DATA

Material: Stainless steel A4.

Type	Working load [kN]	Washer \varnothing DU [mm]	Nut
UG M8	5.8	10.5	Hexagon nut
UG M10	8.0	10.5	Hexagon nut
UG M12	13.0	16.5	Hexagon nut
UG M16	13.0	16.5	Hexagon nut

Type	Pivothead	A[mm]	B [mm]	\varnothing D[mm]	L [mm]
UG M8	M8	26	40	12.5	51
UG M10	M10	26	40	12.5	51
UG M12	M12	33	50	17.0	71
UG M16	M16	33	50	17.0	71

Codice	Nome	Peso	Numero di pezzi
171686	UG M 8 A4	0.13	50
171695	UG M10 A4	0.13	50

PROSYSTEM ITALIA SRL

Via Friuli venezia Giulia, 15
30030 Pianiga - Venezia - Italy
T +39.041.510.1622
F +39.041.5131351

P.IVA 03470750278
Reg.Imp. Ve 03470750278
Cap.soc. € 90.000,00
REA Padova n° 311219

info@prosystemitalia.com
prosystemitalia.com

Codice	Nome	Peso	Numero di pezzi
171704	UG M12 A4	0.39	25
171713	UG M16 A4	0.37	25

PROSYSTEM ITALIA SRL

Via Friuli venezia Giulia, 15
30030 Pianiga - Venezia - Italy
T +39.041.510.1622
F +39.041.5131351

P.IVA 03470750278
Reg.Imp. Ve 03470750278
Cap.soc. € 90.000,00
REA Padova n° 311219

info@prosystemitalia.com
prosystemitalia.com