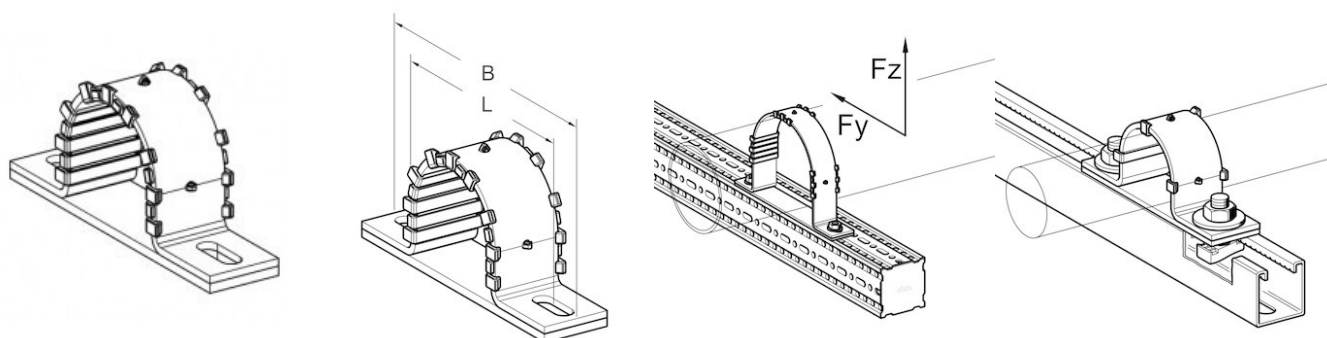


COLLAR TO U RUC I



APPLICATION

Guided Support for the installation of siFramo Beam Sections, Channels 41 and steel girders (H-, I- and Double-U) to support overlying pipelines. This U Clamp can be used as an alternative for Non-Grip (Guide) U Bolt applications. The sliding plate reduces friction between pipe and substructure. The plastic layer and the sliding plate ensure a galvanic isolation between pipe and U Clamp as well as substructure, so it's possible to fasten e.g. stainless steel pipes.

SCOPE OF DELIVERY

U Clamp RUC I with pre-assembled plastic layer. Sliding plate enclosed.

INSTALLATION

Depending on the existing substructure the following options are possible:

- a) On top of siFramo Beam Sections with Self Forming Screws FLSb)
- b) On top of Channels 41 with bolts M10 and suitable Channel Nutc)
- c) On top of steel girders (H-, I- and Double-U) with bolts M10

TECHNICAL DATA

Type	perm. load F_y [kN]	perm. load F_z [kN]
------	-----------------------	-----------------------

PROSYSTEM ITALIA SRL

Via Friuli venezia Giulia, 15
30030 Pianiga - Venezia - Italy
T +39.041.510.1622
F +39.041.5131351

P.IVA 03470750278
Reg.Imp. Ve 03470750278
Cap.soc. € 90.000,00
REA Padova n° 311219

info@prosystemitalia.com
prosystemitalia.com

27 - 121	0.6	2.3
152 - 336	0.2	0.8

The perm. loads have been determined by load tests following DIN EN 13480-3 annex J.

For the installation on top of steel girders and Channels 41 the load capacities of these substructures (and connection parts) have to be verified.

Material: Clamp body: Steel, HCPLayer and sliding plate: Thermoplastic resins Temperature range: -20°C to +90°C (at layer and sliding plate)

Type	NB	Material [mm]	B [mm]	L [mm]	Dimensions of elongated hole [mm]
27	15	40 x 4	134	91	11 x 20
33	20	40 x 4	140	97	11 x 20
40	25	40 x 4	147	104	11 x 20
48	32	40 x 4	155	112	11 x 20
55	40	40 x 4	161	118	11 x 20
67	50	40 x 4	173	130	11 x 20
83	65	40 x 4	189	146	11 x 20
95	80	40 x 4	202	159	11 x 20
121	100	40 x 4	227	184	11 x 20
152	125	40 x 4	259	216	11 x 20
181	150	40 x 4	287	244	11 x 20
232	200	40 x 4	338	295	11 x 20
286	250	40 x 4	392	349	11 x 20
336	300	40 x 4	443	400	11 x 20

PROSYSTEM ITALIA SRL

Via Friuli venezia Giulia, 15
30030 Pianiga - Venezia - Italy
T +39.041.510.1622
F +39.041.5131351

P.IVA 03470750278
Reg.Imp. Ve 03470750278
Cap.soc. € 90.000,00
REA Padova n° 311219

info@prosystemitalia.com
prosystemitalia.com

Codice	Nome	Peso	Numero di pezzi
113393		0.22	25
113394		0.23	25
113395		0.26	25
113396		0.29	25
113397		0.3	25
113398		0.35	25
113399		0.42	25
113400		0.46	25
113401		0.55	25
113402		0.65	10
113403		0.77	10
113404		0.93	10
113405		1.14	5
113406		1.25	1

PROSYSTEM ITALIA SRL

Via Friuli venezia Giulia, 15
30030 Pianiga - Venezia - Italy
T +39.041.510.1622
F +39.041.5131351

P.IVA 03470750278
Reg.Imp. Ve 03470750278
Cap.soc. € 90.000,00
REA Padova n° 311219

info@prosystemitalia.com
prosystemitalia.com