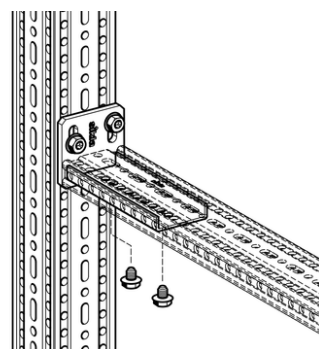
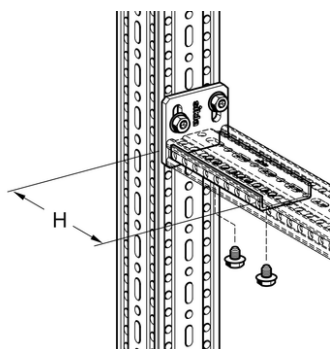
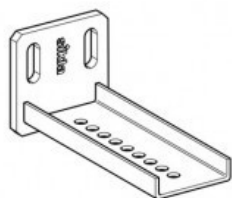


END SUPPORT STA F 80/30



APPLICATION

Plug-in component designed to create an endplate at the open end of a Beam Section TP F80/30 a Cantilever bracket AK F80/30.

INSTALLATION

The Beam Section TP F 80/30 connected to the End Support STA F 80/30 E has to be screwed with 2 Self Forming Screws FLS F.

TECHNICAL DATA

Type	Dimensions of Base plate[mm]	Slots in Base plate for	H[mm]
STA F 80/30-80-E	80 x 80 x 8	M10	178

Material: Steel, HCP.

PROSYSTEM ITALIA SRL

Via Friuli venezia Giulia, 15
30030 Pianiga - Venezia - Italy
T +39.041.510.1622
F +39.041.5131351

P.IVA 03470750278
Reg.Imp. Ve 03470750278
Cap.soc. € 90.000,00
REA Padova n° 311219

info@prosystemitalia.com
prosystemitalia.com

Codice	Nome	Peso	Numero di pezzi
117294	STA F 80/30-E	1.4	1
113066	STA F 80/30-E	0.6	1

PROSYSTEM ITALIA SRL

Via Friuli venezia Giulia, 15
30030 Pianiga - Venezia - Italy
T +39.041.510.1622
F +39.041.5131351

P.IVA 03470750278
Reg.Imp. Ve 03470750278
Cap.soc. € 90.000,00
REA Padova n° 311219

info@prosystemitalia.com
prosystemitalia.com