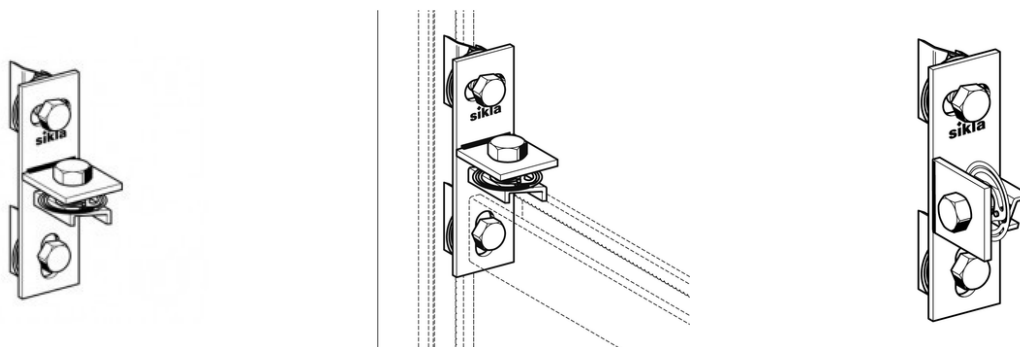


# FITTING SET MOS CC



## APPLICATION

Connecting element for cross bars between two channels.

Hint: Per cross bar always two fitting sets have to be used.

## SCOPE OF DELIVERY

Completely pre-assembled.

## TECHNICAL DATA

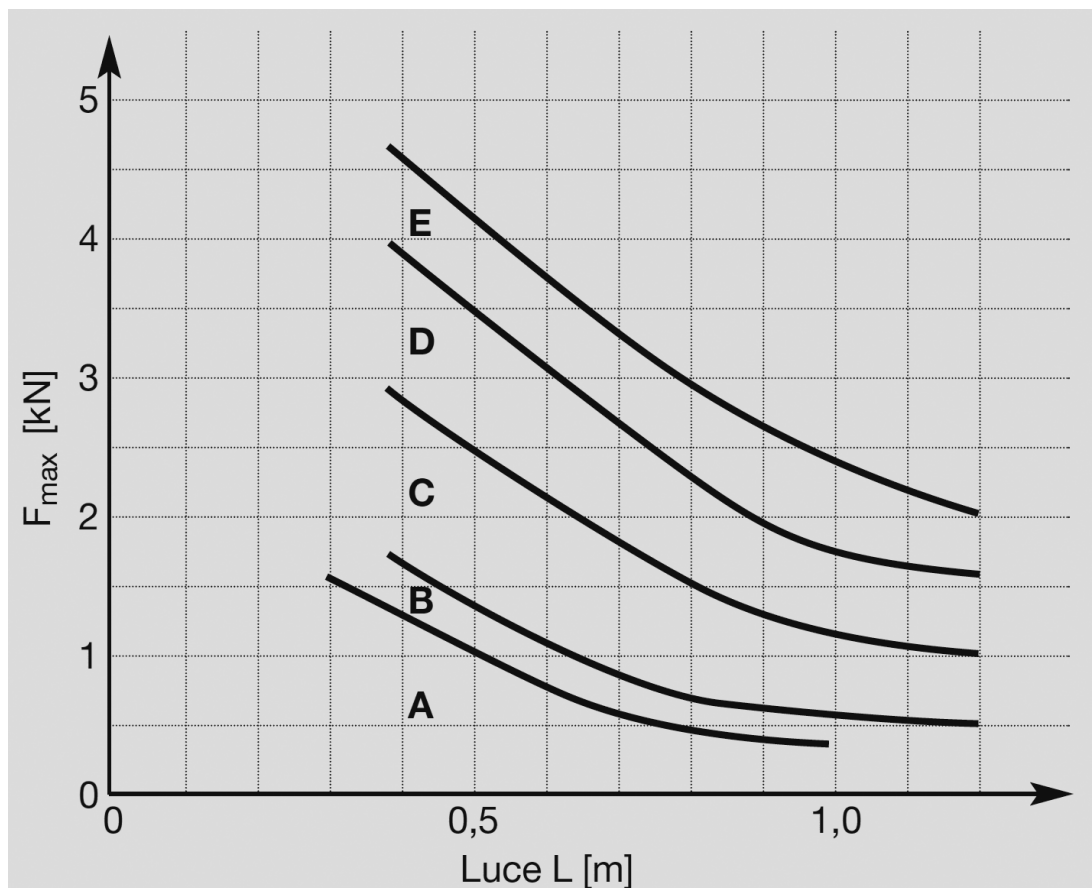
Material: Steel, electro-galvanised.

### PROSYSTEM ITALIA SRL

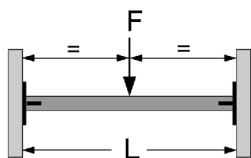
Via Friuli venezia Giulia, 15  
30030 Pianiga - Venezia - Italy  
T +39.041.510.1622  
F +39.041.5131351

P.IVA 03470750278  
Reg.Imp. Ve 03470750278  
Cap.soc. € 90.000,00  
REA Padova n° 311219

[info@prosystemitalia.com](mailto:info@prosystemitalia.com)  
[prosystemitalia.com](http://prosystemitalia.com)



Curve A: MV 41 with 41/21/1,5 (M 8)  
 Curve B: MV 41 with 41/41/2,5 (M 10)  
 Curve C: MH 41 with 41/41/2,5 (M 10)  
 Curve D: MV 41 with 41/52/2,5 (M 10)  
 Curve E: MH 41 with 41/52/2,5 (M 10)



Codice	Nome	Peso	Numero di pezzi
143794	MV 41	0.26	10
143800	MH 41	0.26	10

**PROSYSTEM ITALIA SRL**

Via Friuli venezia Giulia, 15  
 30030 Pianiga - Venezia - Italy  
 T +39.041.510.1622  
 F +39.041.5131351

P.IVA 03470750278  
 Reg.Imp. Ve 03470750278  
 Cap.soc. € 90.000,00  
 REA Padova n° 311219

[info@prosystemitalia.com](mailto:info@prosystemitalia.com)  
[prosystemitalia.com](http://prosystemitalia.com)

Codice	Nome	Peso	Numero di pezzi
191756	MH CC 41	0.39	10
191765	MV CC 41	0.39	10

**PROSYSTEM ITALIA SRL**

Via Friuli venezia Giulia, 15  
30030 Pianiga - Venezia - Italy  
T +39.041.510.1622  
F +39.041.5131351

P.IVA 03470750278  
Reg.Imp. Ve 03470750278  
Cap.soc. € 90.000,00  
REA Padova n° 311219

[info@prosystemitalia.com](mailto:info@prosystemitalia.com)  
[prosystemitalia.com](http://prosystemitalia.com)